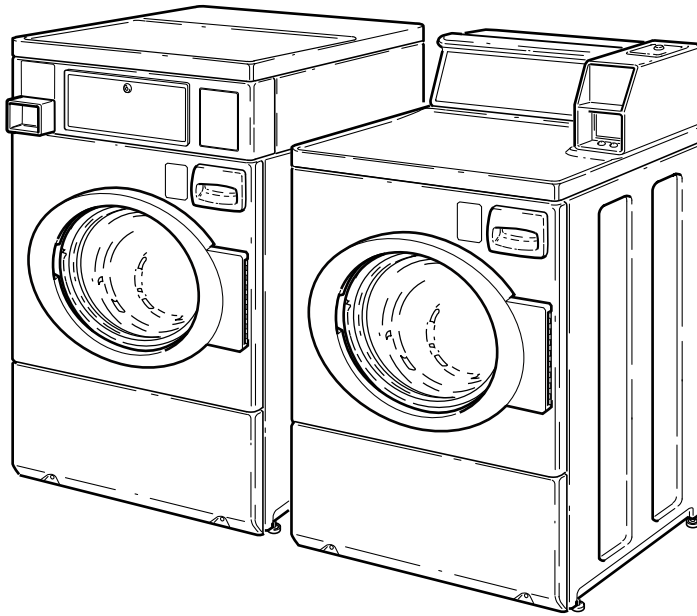


Commercial Frontload Washers

Refer to Page 5 for Model Numbers



FLW1535C_802739

Table of Contents

Title	Page
Parts Ordering Information.....	3
Nameplate Location	3
Model Identification	5
Control Panel and Controls (Drawing 1 of 2)	6
Control Panel and Controls (Drawing 2 of 2)	8
Top Assembly (Drawing 1 of 2).....	10
Top Assembly (Drawing 2 of 2).....	12
Control Cabinet Controls (Drawing 1 of 2)	14
Control Cabinet Controls (Drawing 2 of 2)	16
Control Cabinet and Controls.....	18
Electrical Access Panel, Filters and Terminal Block	20
Wrapper Assembly.....	22
Non-Electronic Coin Drop	24
Electronic Coin Drop	26
Wrapper Assembly and Card Reader	28
Non-Electronic Coin Drop, Meter Case and Service Door	30
Cabinet Top	32
Meter Case, Service Door and Cabinet Top	34
Coin Slide Extension Through Serial No. 1211	36
Coin Slide Extension Starting Serial No. 1211	38
Control Panel, Control Hood and Controls (Drawing 1 of 3)	40
Control Hood Security Kit.....	42
Control Panel, Control Hood and Controls (Drawing 2 of 3)	44
Control Panel, Control Hood and Controls (Drawing 3 of 3)	46
Door Assembly.....	48
Front Panel and Door Seal	50
Dispenser Assembly and Supply Injection Hoses.....	52
Dispenser Assembly	54
Mixing Valve, Inlet Hose and Dispenser Hose.....	56
Outer Tub, Clamp Ring and Shock Absorbers (Drawing 1 of 2)	58
Outer Tub, Clamp Ring and Shock Absorbers (Drawing 2 of 2)	60
Outer Tub, Clamp Ring, Shock Absorbers and Heating Element	62
Inner Basket, Trunnion, Bearing Housing and Pulley	64
Motor and Belt.....	66
Drain Hoses and Valve	68
Hoses and Pump	70
Base, Side Panels and Rear Panel.....	72
Junction Box	74
Junction Box and Power Cord	76
Shipping Materials	78
Wire Ties, Harness Clips and Lead-In Cord.....	80

© Copyright 2013, Alliance Laundry Systems LLC

All rights reserved. No part of the contents of this book may be reproduced or transmitted in any form or by any means without the expressed written consent of the publisher.

Special Tools	82
Labels	84
Wire Harnesses and Wires (Drawing 1 of 2).....	86
Wire Harnesses and Wires (Drawing 2 of 2).....	88
Parts Index.....	91

Parts Ordering Information

If literature or replacement parts are required, contact the source from whom the machine was purchased or contact Alliance Laundry Systems at (920) 748-3950 for the name and address of the nearest authorized parts distributor.

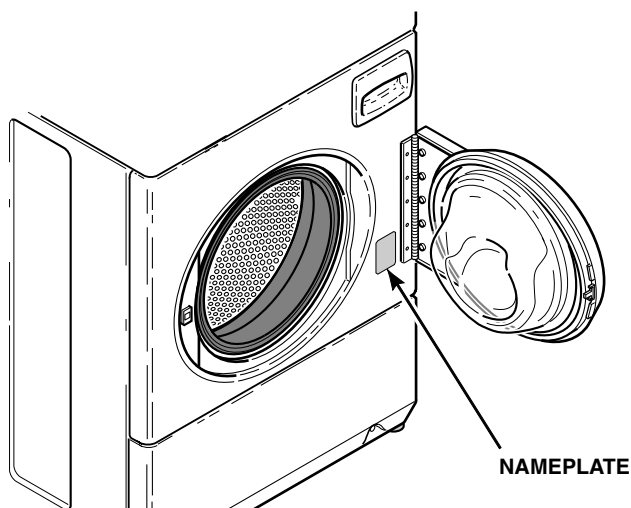
For technical assistance, call either of the numbers listed below:

(920) 748-3121 Ripon, Wisconsin

+32 56 41 20 54 Wevelgem, Belgium

Nameplate Location

When calling or writing about your product, be sure to mention model and serial numbers. Model and serial numbers are located on nameplate(s) as shown.



FLW2123N_802739

Model Identification

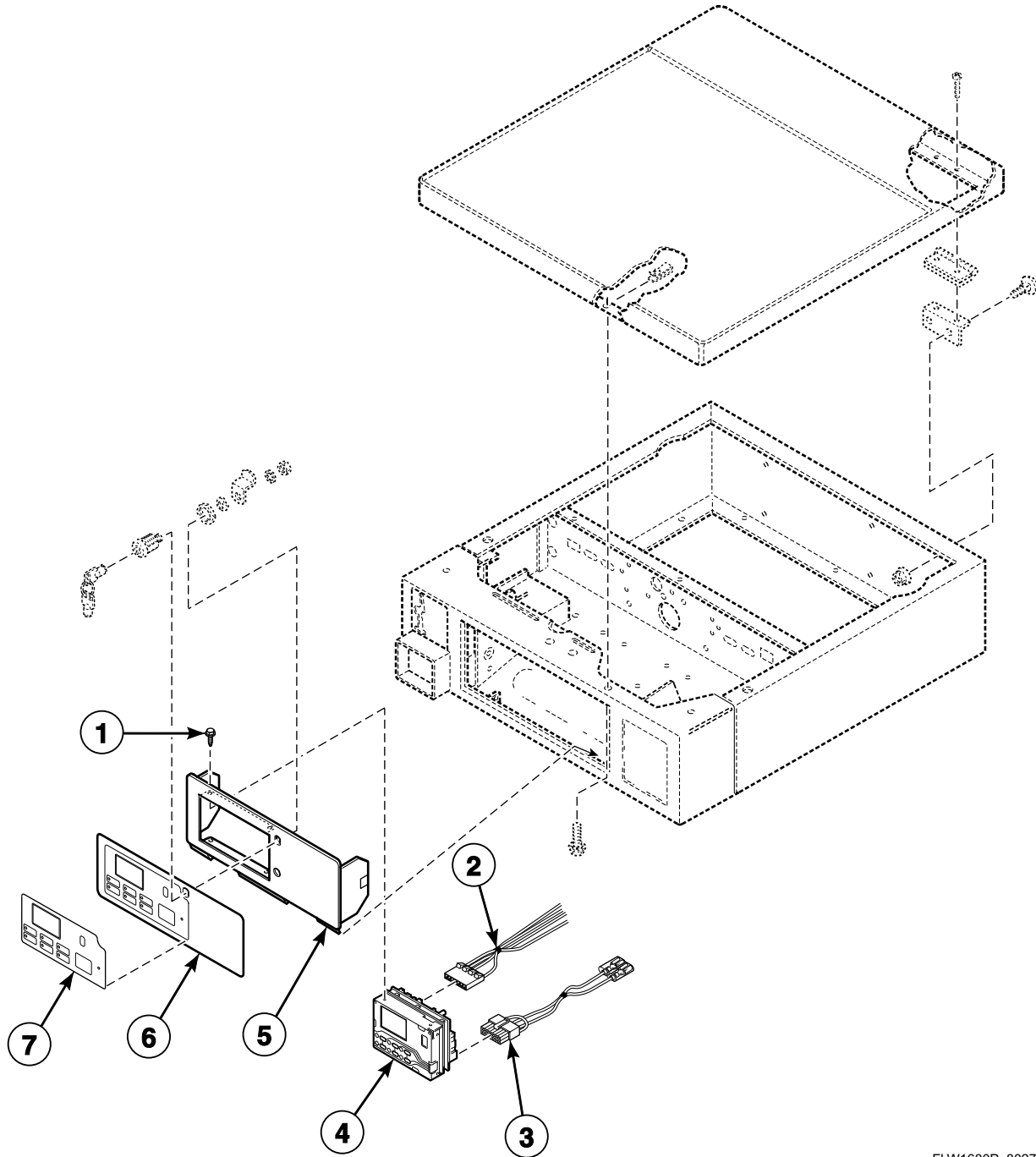
Information in this manual is applicable to these washer models:

BFNBCFSG111TN01	HFNCXFSP111CW01	SFNBYFSG112TW01
BFNBCFSG111TW01	HFNCXRSP111CW01	SFNBYFSP112TW01
BFNBCFSG112TN01	HFNSXRSP112CW01	SFNBYRSP112TW01
BFNBCFSG112TW01	HWFB71*N	SFNCCFSP111TW01
BFNBCFSP112TW01	HWFB71*N1102	SFNCCRSP111TW01
BFNBEFSP111CN01	HWFR71*N1102	SFNCCRSP111TW02
BFNBEFSP111CW01	HWFT71*N	SFNCXRSP111TW02
BFNBEFSP111TN01	HWFT71*N1102	SFNCFYFSP111TW01
BFNBEFSP111TW01	HWFT73*N	SFNCFYRSP111TW01
BFNBEFSP112CN01	HWFT73*N1102	SFNSXRSP111TW02
BFNBEFSP112CW01	HWFX71*N1102	SFNSXRSP112TQ01
BFNBLFSP301AW01	HWFX71*N1127	SFNSXRSP112TW01
BFNBLFSP302AW01	HWFY71*N1102	SFNSXRSP112TW02
BFNBLFSP541NW01	HWFY73*N1102	SFNSXRSP541NQ23
BFNBLFSP542NW01	HWFY74*N4000	SFNSXRSP541NW23
BFNBXFSP112FW01	HWFY75*N4000	SFNTXRSP111TW01
BFNBXFSP302AW01	HWR971*N1102	SFNTXRSP111TW02
BFNBYFSP112TW01	HWR971*N1127	SWFA71*N
BWFL74*N4000	HWR973*N1102	SWFA71*N3050
BWFL75*N4000	HWRR71*N1102	SWFA71*N3069
BWFX71*N1127	HWRT71*N	SWFA73*N
BWFX71*N3050	HWRT71*N1102	SWFB71*N
BWFX74*N4000	HWRX71*N1102	SWFB72*N
BWFX75*N4000	HWRY71*N1102	SWFB73*N
HFNBCFSG111TN01	NWFL84*N4000	SWFF71*N
HFNBCFSG112TN01	NWFL85*N4000	SWFF71*N3050
HFNBCFSG112TQ01	NWFX74*N4000	SWFF73*N
HFNBCFSG112TW01	NWFX75*N4000	SWFL74*N4000
HFNBCFSP111TN01	SFNBCFSG112TQ01	SWFT71*N
HFNBCFSP112TN01	SFNBCFSG112TW01	SWFT73*N
HFNBCFSP112TQ01	SFNBCFSP112TQ01	SWFX71*N
HFNBCFSP112TW01	SFNBCFSP112TW01	SWFX71*N1127
HFNBCRSP112TW01	SFNBCRSP111TW02	SWFX71*N3000
HFNBDFSG112CW01	SFNBCRSP112TW01	SWFX71*N3050
HFNBDFSP112CW01	SFNBCRSP112TW02	SWFX71*N3051
HFNBDRSP112CW01	SFNBXFSG082JW01	SWFX71*N5400
HFNBEFSP112CW01	SFNBXFSG112TQ01	SWFX73*N
HFNBERSP112CW01	SFNBXFSG112TW01	SWFX74*N4000
HFNBXFSP112CW01	SFNBXFSP112TQ01	SWFX75*N4000
HFNBXFSP112FQ01	SFNBXFSP112TW01	SWFY71*N
HFNBXFSP122DW01	SFNBXFSP122DW01	SWFY73*N
HFNBXFSP302NW22	SFNBXFSP301NW22	SWR971*N
HFNBXFSP542DW01	SFNBXFSP302AW01	SWR973*N
HFNBXRSP112FW28	SFNBXFSP302NQ01	SWRB71*N
HFNBYFSG112CW01	SFNBXFSP302NW01	SWRF71*N
HFNBYFSP112CW01	SFNBXFSP302NW22	SWRT71*N
HFNBYSRSP112CW01	SFNBXFSP542DW01	SWRT73*N
	SFNBXSRSP112TW01	SWRX71*N
	SFNBXSRSP112TW02	SWRY71*N

* Add Letter To Designate Color. N - Stainless Steel Q - Bisque W - White

Control Panel and Controls (Drawing 1 of 2)

Models BFNBCFSG111TN01, BFNBCFSG111TW01, BFNBEFSP111CN01, BFNBEFSP111CW01, BFNBEFSP111TN01, BFNBEFSP111TW01, BWF71*N1127, BWF71*N3050, BWF74*N4000, BWF75*N4000, HFNBCFSG111TN01, HFNBCFSP111TN01, HFNCXFSP111CW01, HWFB71*N, HWFB71*N1102, HWFR71*N1102, HWFT71*N, HWFT71*N1102, HWFT73*N, HWFT73*N1102, HWFX71*N1102, HWFX71*N1127, HWFY71*N1102, HWFY73*N1102, HWFY74*N4000, HWFY75*N4000, NWF74*N4000, NWF75*N4000, SFNBXFSP301NW22, SFNCCFSP111TW01, SFNCYFSP111TW01, SWFA71*N, SWFA71*N3050, SWFA71*N3069, SWFA73*N, SWFB71*N, SWFB72*N, SWFB73*N, SWFF71*N, SWFF71*N3050, SWFF73*N, SWFT71*N, SWFT73*N, SWFX71*N, SWFX71*N1127, SWFX71*N3000, SWFX71*N3050, SWFX71*N3051, SWFX71*N5400, SWFX73*N, SWFX74*N4000, SWFX75*N4000, SWFY71*N and SWFY73*N



FLW1680P_802739

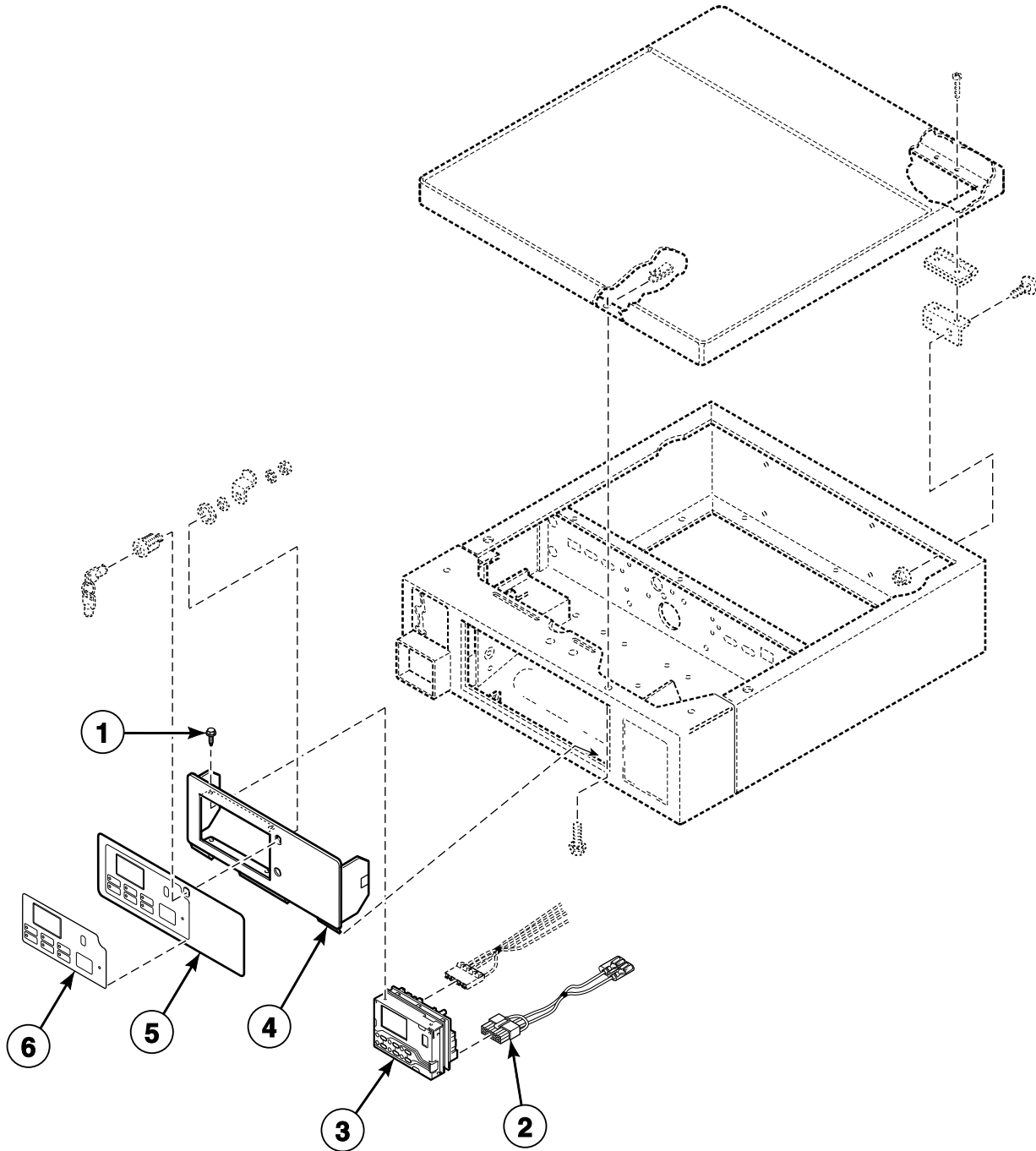
Control Panel and Controls (Drawing 1 of 2)

REF	PART NO.	DESCRIPTION	COMMENTS
1	501524	Screw	
2	511478	Central Pay Harness	Models BFNBCFSG111TN01, BFNBCFSG111TW01, BFNBEFSP111CN01, BFNBEFSP111CW01, BFNBEFSP111TN01, BFNBEFSP111TW01, BWF71*N1127, BWF71*N3050, BWF74*N4000, BWF75*N4000, HFNBCFSG111TN01, HFNBCFSP111TN01, HFNCXFSP111CW01, HWFR71*N1102, HWFT71*N, HWFT71*N1102, HWFT73*N, HWFT73*N1102, HWFX71*N1102, HWFX71*N1127, HWFY71*N1102, HWFY73*N1102, HWFY74*N4000, HWFY75*N4000, NWF74*N4000, NWF75*N4000, SFNBXFSP301NW22, SFNCCFSP111TW01, SFNCYFSP111TW01, SWFT71*N, SWFT73*N, SWFX71*N, SWFX71*N1127, SWFX71*N3000, SWFX71*N3050, SWFX71*N3051, SWFX71*N5400, SWFX73*N, SWFX74*N4000, SWFX75*N4000, SWFY71*N and SWFY73*N
3	800374	Diagnostic Wire Harness Assembly	Models HWFY71*N1102, HWFY73*N1102, HWFY74*N4000, HWFY75*N4000, SFNCYFSP111TW01, SWFF71*N, SWFF71*N3050, SWFF73*N, SWFY71*N and SWFY73*N
4	800772P	Control Kit	Models HWFB71*N, HWFB71*N1102, SWFA71*N, SWFA71*N3050, SWFA71*N3069, SWFB71*N, SWFB72*N, SWFF71*N and SWFF71*N3050
	802076P	Control Kit	Models SWFA73*N, SWFB73*N and SWFF73*N
	803146P	Control Assembly	Models BFNBCFSG111TN01, BFNBCFSG111TW01, BFNBEFSP111CN01, BFNBEFSP111CW01, BFNBEFSP111TN01, BFNBEFSP111TW01, BWF71*N1127, BWF71*N3050, HFNBCFSG111TN01, HFNBCFSP111TN01, HFNCXFSP111CW01, HWFR71*N1102, HWFT71*N, HWFT71*N1102, HWFT73*N, HWFT73*N1102, HWFX71*N1102, HWFX71*N1127, HWFY71*N1102, HWFY73*N1102, SFNBXFSP301NW22, SFNCCFSP111TW01, SFNCYFSP111TW01, SWFT71*N, SWFT73*N, SWFX71*N, SWFX71*N1127, SWFX71*N3000, SWFX71*N3050, SWFX71*N5400, SWFX73*N, SWFY71*N and SWFY73*N
	802400P	Control Assembly	Models BWF74*N4000, BWF75*N4000, HWFY74*N4000, HWFY75*N4000, NWF74*N4000, NWF75*N4000, SWFX74*N4000 and SWFX75*N4000
5	800035W	Control Panel and Bracket Assembly	White
	800035Q	Control Panel and Bracket Assembly	Bisque
	800035B	Control Panel and Bracket Assembly	Black
6	800033	Control Panel Overlay	Models SWFF71*N, SWFF71*N3050 and SWFF73*N
	800413	Control Panel Overlay	Models SWFA71*N, SWFA71*N3050, SWFA71*N3069, SWFA73*N, SWFB71*N, SWFB72*N and SWFB73*N
	800416	Control Panel Overlay	Models HWFB71*N and HWFB71*N1102
	801050	Front Overlay	Models SFNBXFSP301NW22, SFNCCFSP111TW01, SFNCYFSP111TW01, SWFT71*N, SWFT73*N, SWFX71*N, SWFX71*N1127, SWFX71*N3000, SWFX71*N3050, SWFX71*N3051, SWFX71*N5400, SWFX73*N, SWFY71*N and SWFY73*N
	801053	Front Overlay	Models HFNBCFSG111TN01, HFNBCFSP111TN01, HFNCXFSP111CW01, HWFR71*N1102, HWFT71*N, HWFT71*N1102, HWFT73*N, HWFT73*N1102, HWFX71*N1102, HWFX71*N1127, HWFY71*N1102 and HWFY73*N1102
	801037	Front Overlay	Models SWFX74*N4000 and SWFX75*N4000
	801761	Front Overlay	Models HWFY74*N4000 and HWFY75*N4000
	802510	Overlay	Models NWF74*N4000 and NWF75*N4000
	801872	Overlay	Models BWF74*N4000 and BWF75*N4000
	803434	Overlay	Models BFNBCFSG111TN01, BFNBCFSG111TW01, BFNBEFSP111CN01, BFNBEFSP111CW01, BFNBEFSP111TN01, BFNBEFSP111TW01, BWF71*N1127 and BWF71*N3050
7	803597	Overlay	French/English; Models HFNCXFSP111CW01, HWFR71*N1102, HWFT71*N1102, HWFT73*N1102, HWFX71*N1102, HWFY71*N1102 and HWFY73*N1102

* Add Letter To Designate Color. N - Stainless Steel Q - Bisque W - White

Control Panel and Controls (Drawing 2 of 2)

Models BFNBCFSG112TN01, BFNBCFSG112TW01, BFNBCFSP112TW01, BFNBEFSP112CN01, BFNBEFSP112CW01, BFNBFSP112FW01, BFNBFSP302AW01, BFNBYFSP112TW01, HFNBCFSG112TN01, HFNBCFSG112TQ01, HFNBCFSG112TW01, HFNBCFSP112TN01, HFNBCFSP112TQ01, HFNBCFSP112TW01, HFNBDFSG112CW01, HFNBDFSP112CW01, HFNBFEFSP112CW01, HFNBXFSP112CW01, HFNBXFSP112FQ01, HFNBXFSP122DW01, HFNBXFSP302NW22, HFNBXFSP542DW01, HFNBYSFG112CW01, HFNBYSFSP112CW01, SFNBCFSG112TQ01, SFNBCFSG112TW01, SFNBCFSP112TQ01, SFNBCFSP112TW01, SFNBXFSG082JW01, SFNBXFSG112TQ01, SFNBXFSG112TW01, SFNBXFSP112TQ01, SFNBXFSP112TW01, SFNBXFSP122DW01, SFNBXFSP302AW01, SFNBXFSP302NQ01, SFNBXFSP302NW01, SFNBXFSP302NW22, SFNBXFSP542DW01, SFNBYSFG112TW01 and SFNBYSFSP112TW01



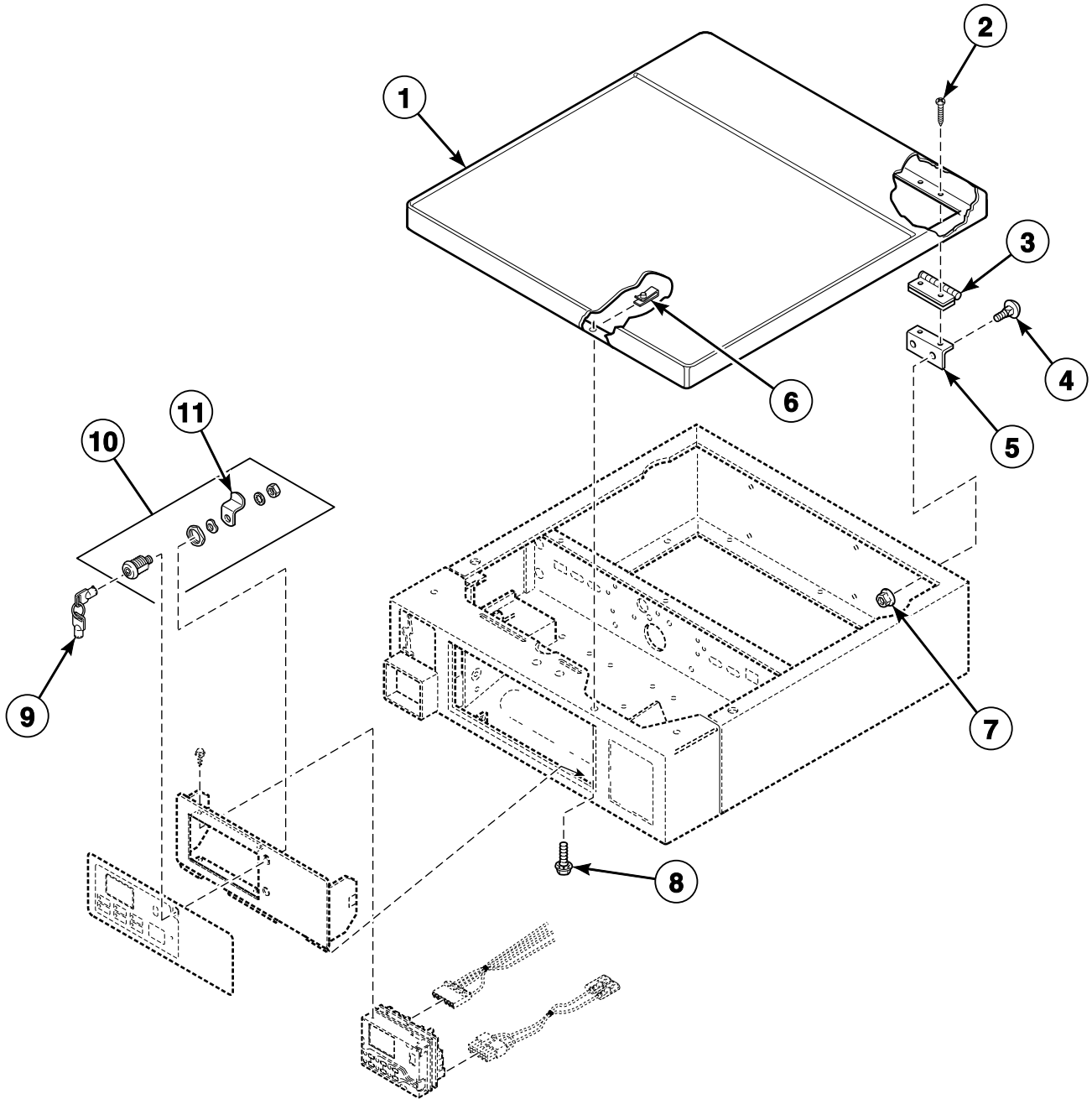
FLW1680PA_802739

Control Panel and Controls (Drawing 2 of 2)

REF	PART NO.	DESCRIPTION	COMMENTS
1	501524	Screw	
2	800374	Diagnostic Wire Harness Assembly	Models HFNBYSFG112CW01 and HFNBYSFP112CW01
3	803146P	Control Assembly	
4	800035W	Control Panel and Bracket Assembly	White
	800035Q	Control Panel and Bracket Assembly	Bisque
	800035B	Control Panel and Bracket Assembly	Black
5	801050	Front Overlay	Models SFNBCFSG112TQ01, SFNBCFSG112TW01, SFNBCFSP112TQ01, SFNBCFSP112TW01, SFNBXFSG082JW01, SFNBXFSG112TQ01, SFNBXFSG112TW01, SFNBXFSP112TQ01, SFNBXFSP112TW01, SFNBXFSP122DW01, SFNBXFSP302AW01, SFNBXFSP302NQ01, SFNBXFSP302NW01, SFNBXFSP302NW22, SFNBXFSP542DW01, SFNBYSFG112TW01 and SFNBYSFP112TW01
	801053	Front Overlay	Models HFNBCFSG112TN01, HFNBCFSG112TQ01, HFNBCFSG112TW01, HFNBCFSP112TN01, HFNBCFSP112TQ01, HFNBCFSP112TW01, HFNBDFSG112CW01, HFNBDFSP112CW01, HFNBDFSP112CW01, HFNBXFSP112CW01, HFNBXFSP112CW01, HFNBXFSP112FQ01, HFNBXFSP122DW01, HFNBXFSP302NW22, HFNBXFSP542DW01, HFNBYSFG112CW01 and HFNBYSFP112CW01
	803434	Overlay	Models BFNBCFSG112TN01, BFNBCFSG112TW01, BFNBCFSP112TW01, BFNBDFSP112CN01, BFNBDFSP112CW01, BFNBXFSP112FW01, BFNBXFSP302AW01 and BFNBYSFP112TW01
6	803597	Overlay	French/English; Models HFNBDFSG112CW01, HFNBDFSP112CW01, HFNBDFSP112CW01, HFNBXFSP112CW01, HFNBYSFG112CW01 and HFNBYSFP112CW01

Top Assembly (Drawing 1 of 2)

Models BFNBCFSG111TN01, BFNBCFSG111TW01, BFNBEFSP111CN01, BFNBEFSP111CW01, BFNBEFSP111TN01, BFNBEFSP111TW01, BWF71*N1127, BWF71*N3050, BWF74*N4000, BWF75*N4000, HFNBCFSG111TN01, HFNBCFSP111TN01, HFNCXFSP111CW01, HWFB71*N, HWFB71*N1102, HWFR71*N1102, HWFT71*N, HWFT71*N1102, HWFT73*N, HWFT73*N1102, HWFX71*N1102, HWFX71*N1127, HWFY71*N1102, HWFY73*N1102, HWFY74*N4000, HWFY75*N4000, NWF74*N4000, NWF75*N4000, SFNBXFSP301NW22, SFNCCFSP111TW01, SFNCYFSP111TW01, SWFA71*N, SWFA71*N3050, SWFA71*N3069, SWFA73*N, SWFB71*N, SWFB72*N, SWFB73*N, SWFF71*N, SWFF71*N3050, SWFF73*N, SWFT71*N, SWFT73*N, SWFX71*N, SWFX71*N1127, SWFX71*N3000, SWFX71*N3050, SWFX71*N3051, SWFX71*N5400, SWFX73*N, SWFX74*N4000, SWFX75*N4000, SWFY71*N and SWFY73*N



FLW1032PA_802739

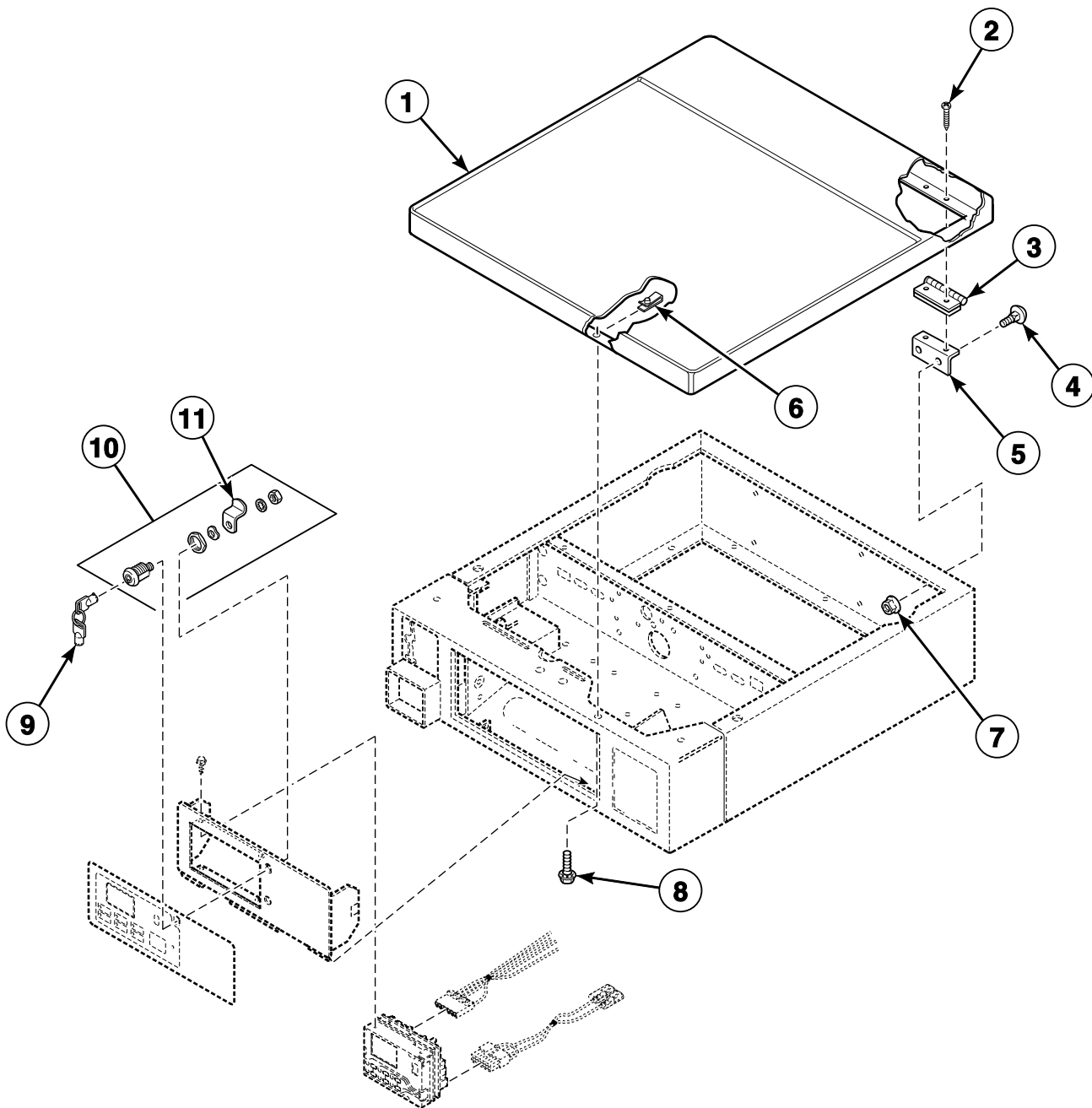
Top Assembly (Drawing 1 of 2)

REF	PART NO.	DESCRIPTION	COMMENTS
1	802247WP	Top and Gusset Assembly	White; Includes 802247W Top and Gusset Assembly, (10) 02788 Nut, (10) 34337 Screw, (2) 510146 Bracket and 2 each items 3 and 5
	802247QP	Top and Gusset Assembly	Bisque; Includes 802247Q Top and Gusset Assembly, (10) 02788 Nut, (10) 34337 Screw, (2) 510146 Bracket and 2 each items 3 and 5
	512967	Stainless Steel Top	Stainless steel; Models BFNBEFSP111CN01, BFNBEFSP111TN01, HFNBCFSG111TN01 and HFNBCFSP111TN01 through Serial No. 1005018719; All other models
	803144P	Top Kit	Stainless steel; Includes items 3, 4, 6, 7 and 4 each 22649 Screw and 51236 Nut; Model BFNBCFSG111TN01; Models BFNBEFSP111CN01, BFNBEFSP111TN01, HFNBCFSG111TN01 and HFNBCFSP111TN01 starting Serial No. 1005018720
2	685847	Pop Rivet	
3	511036	Hinge	
4	29651	Bolt	
5	504228	Top Mounting Bracket	
6	36020	Nut	
7	44087201	Nut	
8	23008	Screw	
9	54612	Key	GR800
10	27260P	Lock Kit	
11	27261	Lock Cam	

* Add Letter To Designate Color. N - Stainless Steel Q - Bisque W - White

Top Assembly (Drawing 2 of 2)

Models BFNBCFSG112TN01, BFNBCFSG112TW01, BFNBCFSP112TW01, BFNBEFSP112CN01, BFNBEFSP112CW01, BFNBFSP112FW01, BFNBFSP302AW01, BFNBYFSP112TW01, HFNBCFSG112TN01, HFNBCFSG112TQ01, HFNBCFSG112TW01, HFNBCFSP112TN01, HFNBCFSP112TQ01, HFNBCFSP112TW01, HFNBDFSG112CW01, HFNBDFSP112CW01, HFNBFEFSP112CW01, HFNBXFSP112CW01, HFNBXFSP112FQ01, HFNBXFSP122DW01, HFNBXFSP302NW22, HFNBXFSP542DW01, HFNBYSFG112CW01, HFNBYSFG112CW01, SFNBCFSG112TQ01, SFNBCFSG112TW01, SFNBCFSP112TQ01, SFNBCFSP112TW01, SFNBXFSG082JW01, SFNBXFSG112TQ01, SFNBXFSG112TW01, SFNBXFSP112TQ01, SFNBXFSP112TW01, SFNBXFSP122DW01, SFNBXFSP302AW01, SFNBXFSP302NQ01, SFNBXFSP302NW01, SFNBXFSP302NW22, SFNBXFSP542DW01, SFNBYSFG112TW01 and SFNBYSFG112TW01



FLW1032PA_802739

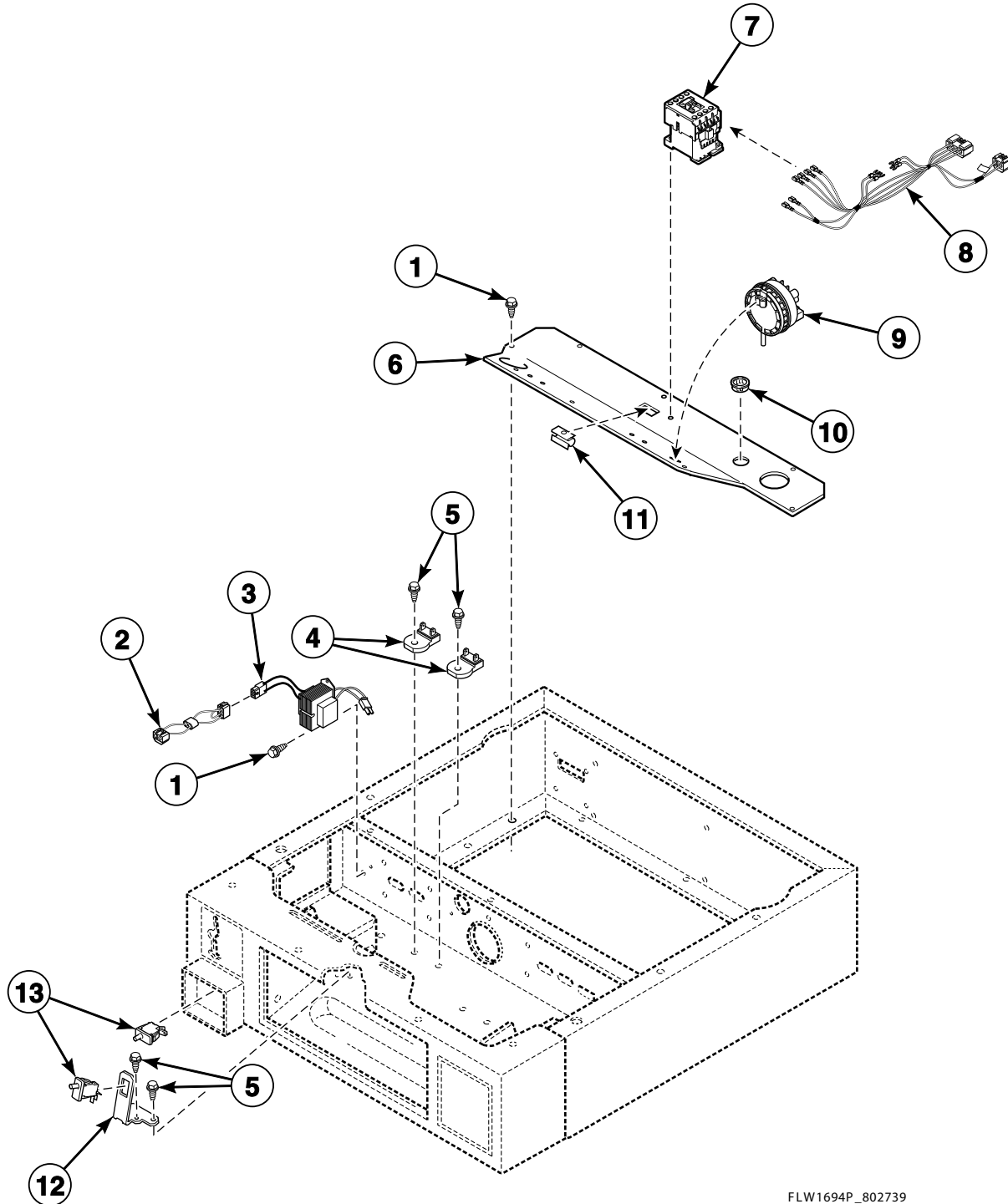
Top Assembly (Drawing 2 of 2)

REF	PART NO.	DESCRIPTION	COMMENTS
1	802247WP	Top and Gusset Assembly	White; Includes 802247W Top and Gusset Assembly, (10) 02788 Nut, (10) 34337 Screw, (2) 510146 Bracket and 2 each items 3 and 5
	802247QP	Top and Gusset Assembly	Bisque; Includes 802247Q Top and Gusset Assembly, (10) 02788 Nut, (10) 34337 Screw, (2) 510146 Bracket and 2 each items 3 and 5
	803144P	Top Kit	Stainless steel; Includes items 3, 4, 6, 7 and 4 each 22649 Screw and 51236 Nut; Models BFNBCFSG112TN01, BFNBEFSP112CN01, HFNBCFSG112TN01 and HFNBCFSP112TN01
2	685847	Pop Rivet	
3	511036	Hinge	
4	29651	Bolt	
5	504228	Top Mounting Bracket	
6	36020	Nut	
7	44087201	Nut	
8	23008	Screw	
9	54612	Key	GR800
10	27260P	Lock Kit	
11	27261	Lock Cam	

* Add Letter To Designate Color. N - Stainless Steel Q - Bisque W - White

Control Cabinet Controls (Drawing 1 of 2)

Models BFNBCFSG111TN01, BFNBCFSG111TW01, BFNBEFSP111CN01, BFNBEFSP111CW01, BFNBEFSP111TN01, BFNBEFSP111TW01, BWF71*N1127, BWF71*N3050, BWF74*N4000, BWF75*N4000, HFNBCFSG111TN01, HFNBCFSP111TN01, HFNCXFSP111CW01, HWFB71*N, HWFB71*N1102, HWFR71*N1102, HWFT71*N, HWFT71*N1102, HWFT73*N, HWFT73*N1102, HWFX71*N1102, HWFX71*N1127, HWFY71*N1102, HWFY73*N1102, HWFY74*N4000, HWFY75*N4000, NWF74*N4000, NWF75*N4000, SFNBXFSP301NW22, SFNCCFSP111TW01, SFNCYFSP111TW01, SWFA71*N, SWFA71*N3050, SWFA71*N3069, SWFA73*N, SWFB71*N, SWFB72*N, SWFB73*N, SWFF71*N, SWFF71*N3050, SWFF73*N, SWFT71*N, SWFT73*N, SWFX71*N, SWFX71*N1127, SWFX71*N3000, SWFX71*N3050, SWFX71*N3051, SWFX71*N5400, SWFX73*N, SWFX74*N4000, SWFX75*N4000, SWFY71*N and SWFY73*N



FLW1694P_802739

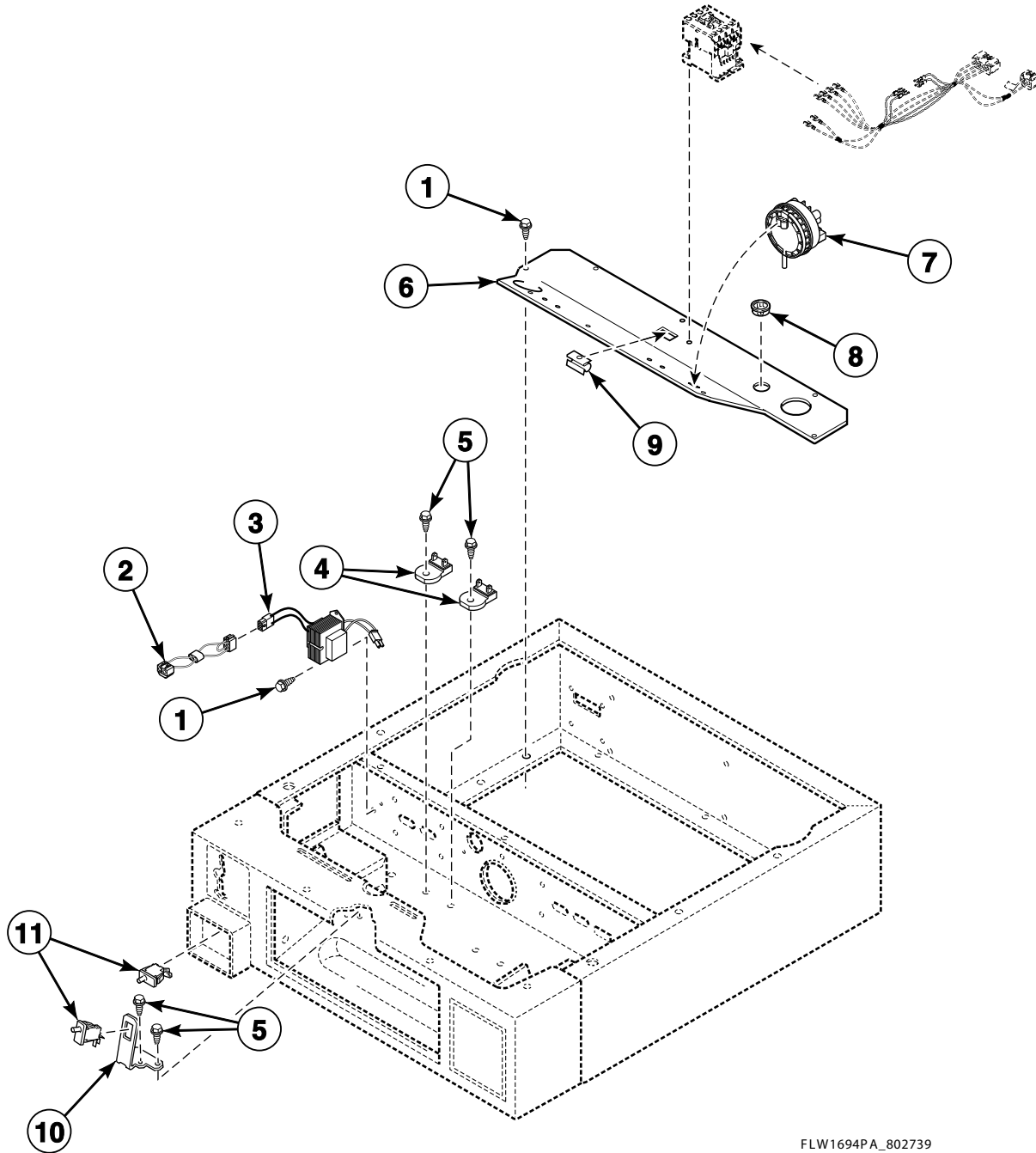
Control Cabinet Controls (Drawing 1 of 2)

REF	PART NO.	DESCRIPTION	COMMENTS
1	503661	Screw	Use with painted panels
	M405188	Screw	Use with stainless steel panels
2	M413507	Jumper Configuration Assembly	Models BWFX71*N3050, BWFX74*N4000, BWFX75*N4000, HWFY74*N4000, HWFY75*N4000, NWFY74*N4000, NWFY75*N4000, SFNBXFSP301NW22, SWFA71*N3050, SWFA71*N3069, SWFF71*N3050, SWFX71*N3000, SWFX71*N3050, SWFX71*N3051, SWFX71*N5400, SWFX74*N4000 and SWFX75*N4000
3	210018P	Transformer	Models BFNBCFSG111TN01, BFNBCFSG111TW01, HFNBCFSG111TN01, HFNBCFSP111TN01, HWFB71*N, HWFB71*N1102, HWFT71*N, HWFT71*N1102, HWFT73*N, HWFT73*N1102, SFNCCFSP111TW01, SWFB71*N, SWFB72*N, SWFB73*N, SWFF71*N, SWFF73*N, SWFT71*N and SWFT73*N
	201375P	Transformer	Some models may have jumper wire attached to transformer. Discard jumper wire when replacing transformer; Models BFNBEFSP111CN01, BFNBEFSP111CW01, BFNBEFSP111TN01, BFNBEFSP111TW01, HFNCXFSP111CW01, HWFR71*N1102, HWFX71*N1102, HWFX71*N1127, HWFY71*N1102, HWFY73*N1102, SFNCYFSP111TW01, SWFA71*N, SWFX71*N, SWFX71*N1127, SWFX73*N, SWFY71*N and SWFY73*N
	803527P	Transformer	All other models
4	210100	Resistor	Models BWFX71*N3050, BWFX74*N4000, BWFX75*N4000, HWFY74*N4000, HWFY75*N4000, NWFY74*N4000, NWFY75*N4000, SFNBXFSP301NW22, SWFA71*N3050, SWFA71*N3069, SWFF71*N3050, SWFX71*N3000, SWFX71*N3050, SWFX71*N3051, SWFX71*N5400, SWFX74*N4000 and SWFX75*N4000
5	503688	Screw	
6	801371	Control Shield	
7	F330177P	Contacto	Models BWFX74*N4000, BWFX75*N4000, HWFY74*N4000, HWFY75*N4000, NWFY74*N4000, NWFY75*N4000, SWFX74*N4000 and SWFX75*N4000
8	801120P	Contacto Wire Harness Assembly	Models BWFX74*N4000, BWFX75*N4000, HWFY74*N4000, HWFY75*N4000, NWFY74*N4000, NWFY75*N4000, SWFX74*N4000 and SWFX75*N4000
9	802299P	Pressure Switch	
10	M402542	Snap Bushing	
11	36985	Hose Clip	
12	800379	Audit Switch Bracket	
13	512973	Switch	

* Add Letter To Designate Color. N - Stainless Steel Q - Bisque W - White

Control Cabinet Controls (Drawing 2 of 2)

Models BFNBCFSG112TN01, BFNBCFSG112TW01, BFNBCFSP112TW01, BFNBEPSP112CN01, BFNBEPSP112CW01, BFNBXFSP112FW01, BFNBXFSP302AW01, BFNBYPSP112TW01, HFNBCFSG112TN01, HFNBCFSG112TQ01, HFNBCFSG112TW01, HFNBCFSP112TN01, HFNBCFSP112TQ01, HFNBCFSP112TW01, HFNBDFSG112CW01, HFNBDFSP112CW01, HFNBEPSP112CW01, HFNBXFSP112CW01, HFNBXFSP112FQ01, HFNBXFSP122DW01, HFNBXFSP302NW22, HFNBXFSP542DW01, HFNBYPSP112CW01, HFNBYPSP112CW01, SFNBCFSG112TQ01, SFNBCFSG112TW01, SFNBCFSP112TQ01, SFNBCFSP112TW01, SFNBXFSG082JW01, SFNBXFSG112TQ01, SFNBXFSG112TW01, SFNBXFSP112TQ01, SFNBXFSP112TW01, SFNBXFSP122DW01, SFNBXFSP302AW01, SFNBXFSP302NQ01, SFNBXFSP302NW01, SFNBXFSP302NW22, SFNBXFSP542DW01, SFNBYPSP112TW01 and SFNBYPSP112TW01



FLW1694PA_802739

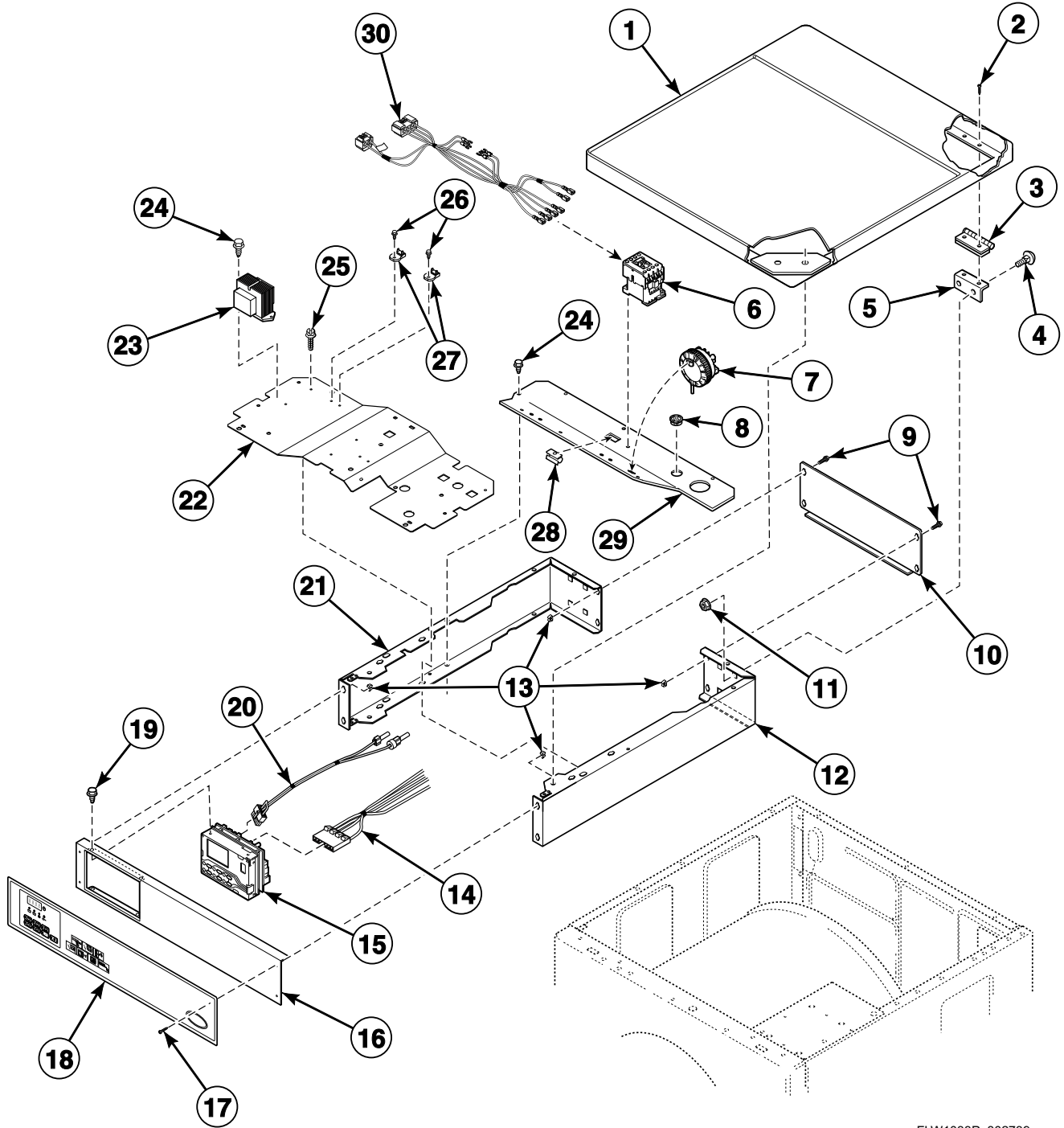
Control Cabinet Controls (Drawing 2 of 2)

REF	PART NO.	DESCRIPTION	COMMENTS
1	503661	Screw	Use with painted panels
	M405188	Screw	Use with stainless steel panels
2	M413507	Jumper Configuration Assembly	Models BFNBFSP302AW01, HFNBXFSP302NW22, HFNBXFSP542DW01, SFNBXFSP302AW01, SFNBXFSP302NQ01, SFNBXFSP302NW01, SFNBXFSP302NW22 and SFNBXFSP542DW01
	M413504	Jumper Harness Assembly	Model SFNBXFSG082JW01
3	210018P	Transformer	Models BFNBCFSG112TN01, BFNBCFSG112TW01, BFNBCFSP112TW01, HFNBFCFSG112TN01, HFNBFCFSG112TQ01, HFNBFCFSG112TW01, HFNBFCFSP112TN01, HFNBFCFSP112TQ01, HFNBFCFSP112TW01, HFNBDFSG112CW01, HFNBDFSP112CW01, SFNBFCFSG112TQ01, SFNBFCFSG112TW01, SFNBFCFSP112TQ01 and SFNBFCFSP112TW01
	803527P	Transformer	Models BFNBFSP302AW01, HFNBXFSP302NW22, HFNBXFSP542DW01, SFNBXFSG082JW01, SFNBXFSP302AW01, SFNBXFSP302NQ01, SFNBXFSP302NW01, SFNBXFSP302NW22 and SFNBXFSP542DW01
	201375P	Transformer	Some models may have jumper wire attached to transformer. Discard jumper wire when replacing transformer; All other models
4	210100	Resistor	Models BFNBFSP302AW01, HFNBXFSP302NW22, HFNBXFSP542DW01, SFNBXFSG082JW01, SFNBXFSP302AW01, SFNBXFSP302NQ01, SFNBXFSP302NW01, SFNBXFSP302NW22 and SFNBXFSP542DW01
5	503688	Screw	
6	801371	Control Shield	
7	802299P	Pressure Switch	
8	M402542	Snap Bushing	
9	36985	Hose Clip	
10	800379	Audit Switch Bracket	
11	512973	Switch	

* Add Letter To Designate Color. N - Stainless Steel Q - Bisque W - White

Control Cabinet and Controls

Models BFNBLFSP301AW01, BFNBLFSP302AW01, BFNBLFSP541NW01,
BFNBLFSP542NW01, BWFL74*N4000, BWFL75*N4000, NWFL84*N4000,
NWFL85*N4000 and SWFL74*N4000



FLW1033P_802739

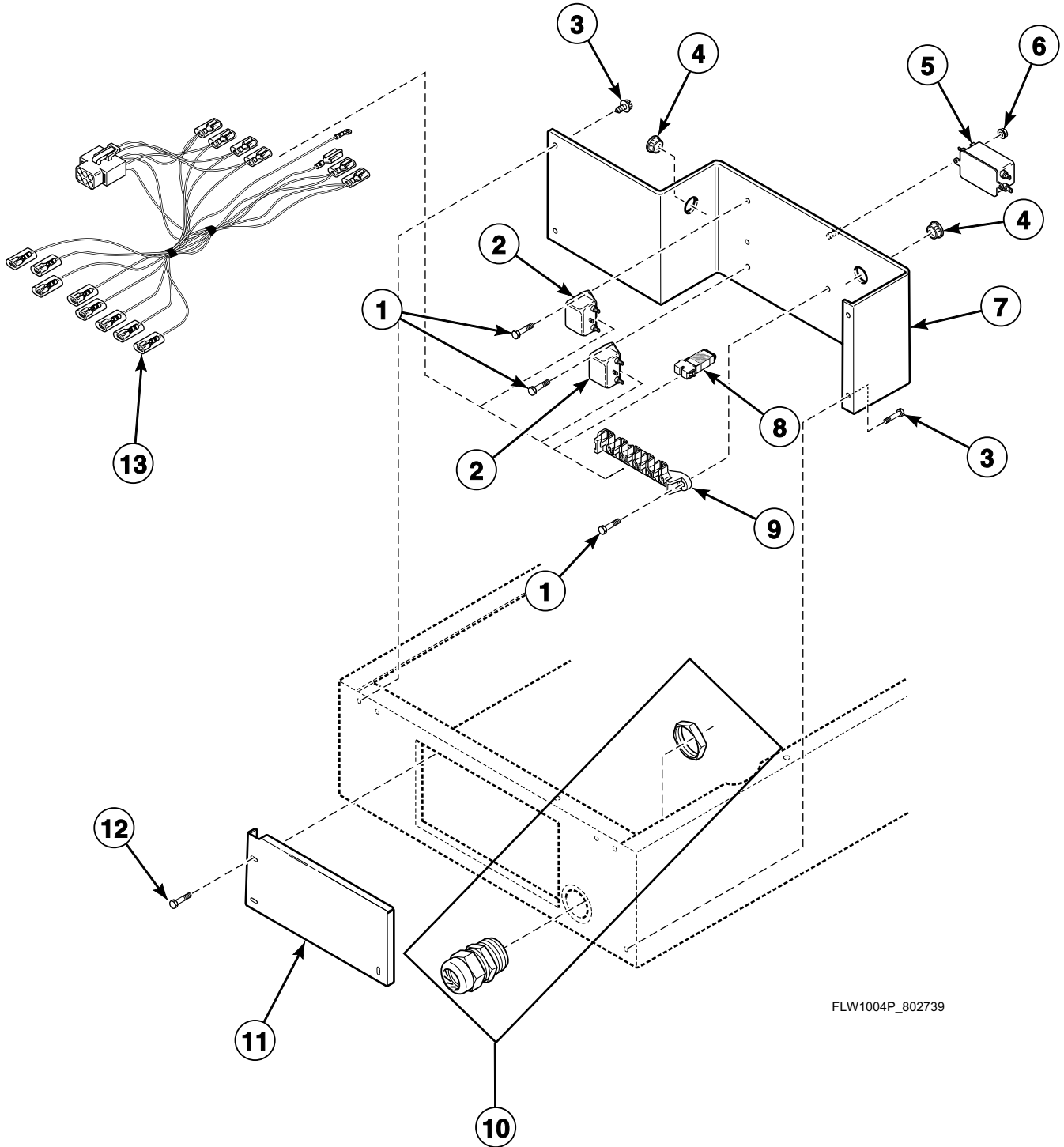
Control Cabinet and Controls

REF	PART NO.	DESCRIPTION	COMMENTS
1	512967	Stainless Steel Top	Models NWFL84*N4000, NWFL85*N4000 and SWFL74*N4000
	802247WP	Top and Gusset Assembly	White; Models BFNBLFSP301AW01, BFNBLFSP302AW01, BFNBLFSP541NW01, BFNBLFSP542NW01, BWFL74*N4000 and BWFL75*N4000
	802247QP	Top and Gusset Assembly	Bisque; Models BWFL74*N4000 and BWFL75*N4000
2	685847	Pop Rivet	
3	511036	Hinge	
4	29651	Bolt	
5	504228	Top Mounting Bracket	
6	F330177P	Contactora	All models except BFNBLFSP301AW01, BFNBLFSP302AW01, BFNBLFSP541NW01 and BFNBLFSP542NW01
7	802299P	Pressure Switch	
8	M402542	Snap Bushing	
9	70240301	Screw	
10	801058	Rear Control Cabinet	
11	44087201	Nut	
12	800915W	Right Control Cabinet Side	White
	800915Q	Right Control Cabinet Side	Bisque
	800915B	Right Control Cabinet Side	Black
13	70030501	Expansion Clip	
14	511478	Central Pay Harness	
15	803146P	Control Assembly	Models BFNBLFSP301AW01, BFNBLFSP302AW01, BFNBLFSP541NW01 and BFNBLFSP542NW01
	802400P	Control Assembly	All other models
16	801737W	Control Panel	White
	801737B	Control Panel	Black
17	800930	Screw	
18	801762	Graphic Overlay	Models NWFL84*N4000 and NWFL85*N4000
	801983	Graphic Overlay	Models BWFL74*N4000 and BWFL75*N4000
	802868	Graphic Overlay	Model SWFL74*N4000
	803535	Overlay	Models BFNBLFSP301AW01, BFNBLFSP302AW01, BFNBLFSP541NW01 and BFNBLFSP542NW01
19	501524	Screw	
20	800680	Diagnostic Wire Harness Assembly	
21	801738W	Left Control Cabinet Side	White
	801738B	Left Control Cabinet Side	Black
22	801777	Control Cabinet Bottom	
23	803527P	Transformer	
24	503661	Screw	
25	503688	Screw	Use with painted panels
	M405188	Screw	Use with stainless steel panels
26	503688	Screw	
27	210100	Resistor	
28	36985	Hose Clip	
29	801371	Control Shield	
30	801120P	Contactora Wire Harness Assembly	All models except BFNBLFSP301AW01, BFNBLFSP302AW01, BFNBLFSP541NW01 and BFNBLFSP542NW01

* Add Letter To Designate Color. N - Stainless Steel Q - Bisque W - White

Electrical Access Panel, Filters and Terminal Block

Models BFNBLFSP301AW01, BFNBLFSP302AW01, BFNBLFSP541NW01, BFNBLFSP542NW01, BWFL74*N4000, BWFL75*N4000, BWF74*N4000, BWF75*N4000, HWFY74*N4000, HWFY75*N4000, NWF84*N4000, NWF85*N4000, NWF74*N4000, NWF75*N4000, SWFL74*N4000, SWFX74*N4000 and SWFX75*N4000



FLW1004P_802739

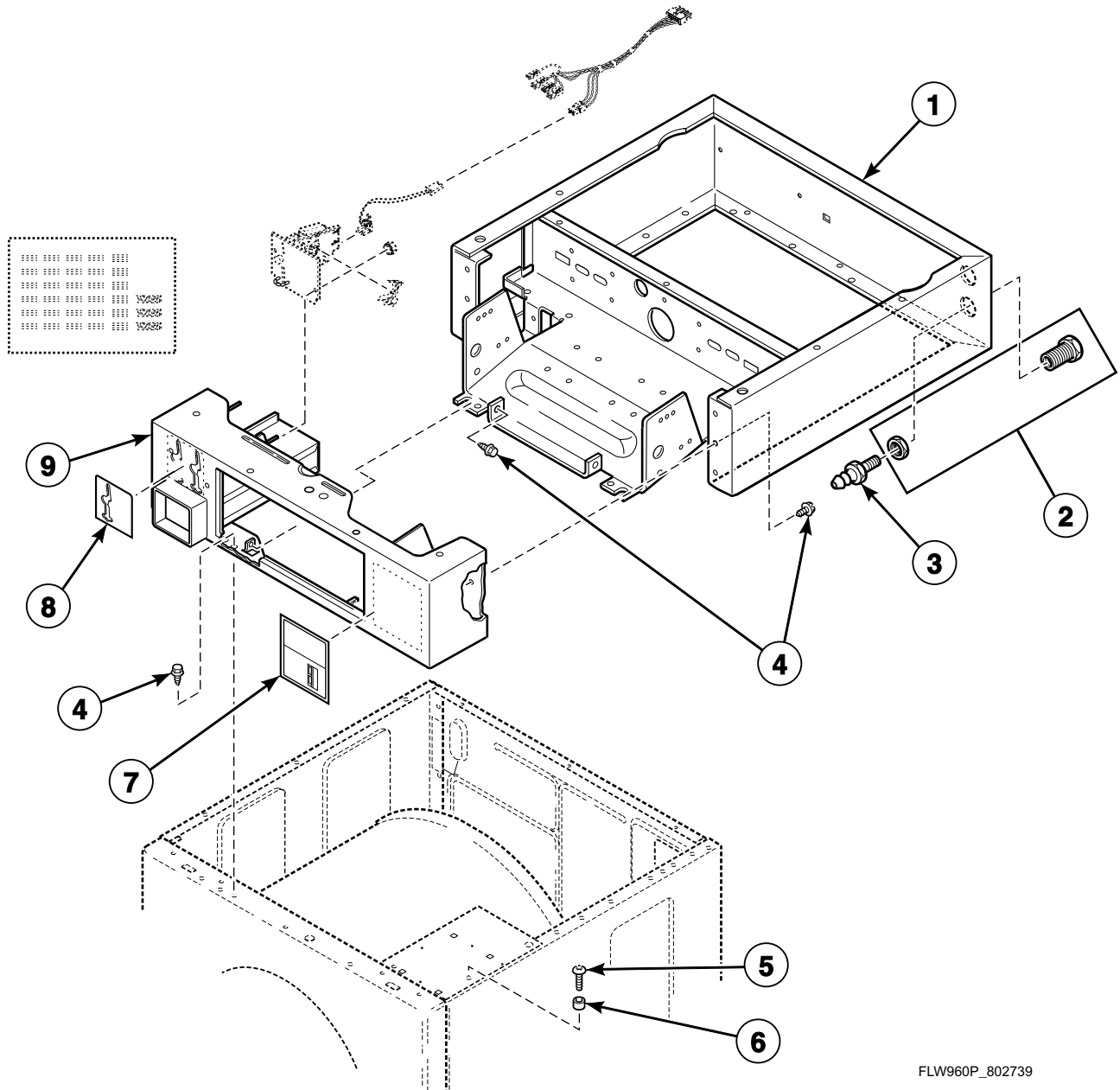
Electrical Access Panel, Filters and Terminal Block

REF	PART NO.	DESCRIPTION	COMMENTS
1	503661	Screw	All models except BFNBLFSP301AW01, BFNBLFSP302AW01, BFNBLFSP541NW01 and BFNBLFSP542NW01
2	801255P	Filter	All models except BFNBLFSP301AW01, BFNBLFSP302AW01, BFNBLFSP541NW01 and BFNBLFSP542NW01
3	503688	Screw	
4	M402542	Snap Bushing	
5	201058	Line Filter	All models except BFNBLFSP301AW01, BFNBLFSP302AW01, BFNBLFSP541NW01 and BFNBLFSP542NW01
6	29787	Nut	All models except BFNBLFSP301AW01, BFNBLFSP302AW01, BFNBLFSP541NW01 and BFNBLFSP542NW01
7	801756	Terminal Block Assembly	Models BWFL74*N4000, BWFL75*N4000, NWFL84*N4000, NWFL85*N4000 and SWFL74*N4000
	801250	Terminal Block Assembly	Models BWF74*N4000, BWF75*N4000, HWFY74*N4000, HWFY75*N4000, NWF74*N4000, NWF75*N4000, SWF74*N4000 and SWF75*N4000
8	801311	Network Varistor Assembly	All models except BFNBLFSP301AW01, BFNBLFSP302AW01, BFNBLFSP541NW01 and BFNBLFSP542NW01
9	505876	Terminal Block Assembly	All models except BFNBLFSP301AW01, BFNBLFSP302AW01, BFNBLFSP541NW01 and BFNBLFSP542NW01
10	801792P	Fitting	
11	801058	Rear Control Cabinet	Models BFNBLFSP301AW01, BFNBLFSP302AW01, BFNBLFSP541NW01, BFNBLFSP542NW01, BWFL74*N4000, BWFL75*N4000, NWFL84*N4000, NWFL85*N4000 and SWFL74*N4000
	801134	Electric Access Panel	All other models
12	70240301	Screw	Models BFNBLFSP301AW01, BFNBLFSP302AW01, BFNBLFSP541NW01, BFNBLFSP542NW01, BWFL74*N4000, BWFL75*N4000, NWFL84*N4000, NWFL85*N4000 and SWFL74*N4000
	503661	Screw	All other models
13	801261	Wire Harness Assembly	3 Phase power; All models except BFNBLFSP301AW01, BFNBLFSP302AW01, BFNBLFSP541NW01 and BFNBLFSP542NW01

* Add Letter To Designate Color. N - Stainless Steel Q - Bisque W - White

Wrapper Assembly

Models BFNBCFSG111TN01, BFNBCFSG111TW01, BFNBCFSG112TN01, BFNBCFSG112TW01, BFNBCFSP112TW01, BFNBEFSP111CN01, BFNBEFSP111CW01, BFNBEFSP111TN01, BFNBEFSP111TW01, BFNBEFSP112CN01, BFNBEFSP112CW01, BFNBFSP112FW01, BFNBFSP302AW01, BWF71*N1127, BWF71*N3050, BWF74*N4000, BWF75*N4000, HFNBCFSG111TN01, HFNBCFSG112TN01, HFNBCFSG112TQ01, HFNBCFSG112TW01, HFNBCFSP111TN01, HFNBCFSP112TN01, HFNBCFSP112TQ01, HFNBCFSP112TW01, HFNBDFSG112CW01, HFNBDFSP112CW01, HFNBEPSP112CW01, HFNBXFSP112CW01, HFNBXFSP112FQ01, HFNBXFSP122DW01, HFNBXFSP302NW22, HFNBXFSP542DW01, HFNCXFSP111CW01, HWFB71*N, HWFB71*N1102, HWFR71*N1102, HWFT71*N, HWFT71*N1102, HWFT73*N, HWFT73*N1102, HWFX71*N1102, HWFX71*N1127, NWF74*N4000, NWF75*N4000, SFNBCFSG112TQ01, SFNBCFSG112TW01, SFNBCFSP112TQ01, SFNBCFSP112TW01, SFNBXFSG082JW01, SFNBXFSG112TQ01, SFNBXFSG112TW01, SFNBXFSP112TQ01, SFNBXFSP112TW01, SFNBXFSP122DW01, SFNBXFSP301NW22, SFNBXFSP302AW01, SFNBXFSP302NQ01, SFNBXFSP302NW01, SFNBXFSP302NW22, SFNBXFSP542DW01, SFNCCFSP111TW01, SWFA71*N, SWFA71*N3050, SWFA71*N3069, SWFA73*N, SWFB71*N, SWFB72*N, SWFB73*N, SWFT71*N, SWFT73*N, SWFX71*N, SWFX71*N1127, SWFX71*N3000, SWFX71*N3050, SWFX71*N3051, SWFX71*N5400, SWFX73*N, SWFX74*N4000 and SWFX75*N4000



FLW960P_802739

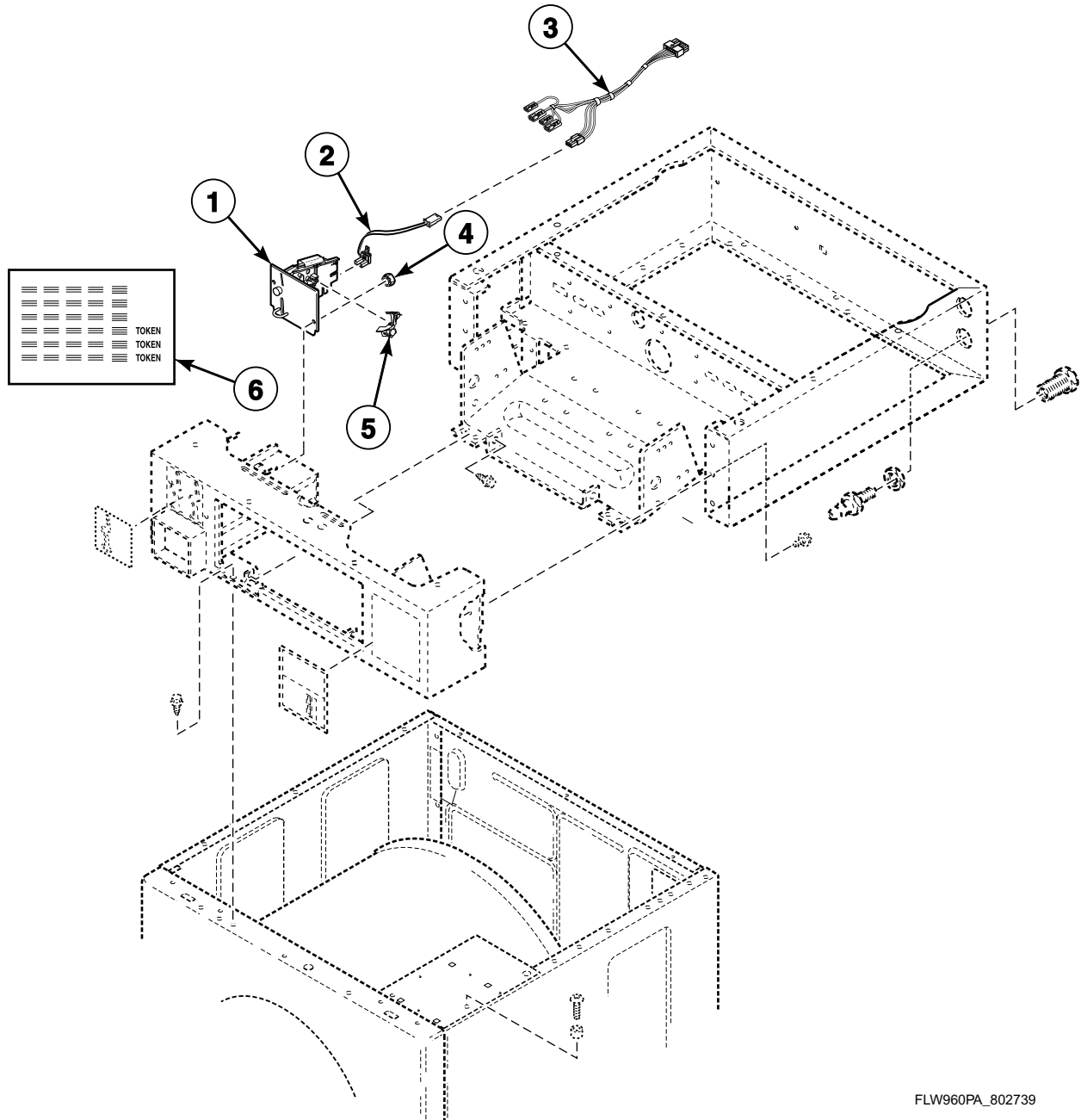
Wrapper Assembly

REF	PART NO.	DESCRIPTION	COMMENTS
1	801235W	Security Cabinet Wrapper Assembly	White; Models BWFX74*N4000, BWFX75*N4000, NWF74*N4000, NWF75*N4000, SWFX74*N4000 and SWFX75*N4000
	801235Q	Security Cabinet Wrapper Assembly	Bisque; Models BWFX74*N4000, BWFX75*N4000, NWF74*N4000, NWF75*N4000, SWFX74*N4000 and SWFX75*N4000
	801235B	Security Cabinet Wrapper Assembly	Black; Models BWFX74*N4000, BWFX75*N4000, NWF74*N4000, NWF75*N4000, SWFX74*N4000 and SWFX75*N4000
	801780W	Security Cabinet Wrapper Assembly	White; Model SWFB72*N
	801780Q	Security Cabinet Wrapper Assembly	Bisque; Model SWFB72*N
	505753WP	Wrapper and Channel Assembly	White; All other models
	505753QP	Wrapper and Channel Assembly	Bisque; All other models
	505753BP	Wrapper and Channel Assembly	Black; All other models
	2	801788	Union
3	801789	Connector	Model SWFB72*N
4	503688	Screw	
5	39733	Screw	Use with painted panels
	512921	Screw	Use with stainless steel panels
6	56079	Panel Locator	
7	801217	Operating Instruction Label	Models BWFX74*N4000, BWFX75*N4000, HFNBXFSP122DW01, HFNBXFSP542DW01, NWF74*N4000, NWF75*N4000, SFNBXFSP122DW01, SFNBXFSP542DW01, SWFA71*N3050, SWFX74*N4000 and SWFX75*N4000
	803594	Operating Instruction Label	French/English; Models HFNBDFSG112CW01, HFNBDFSP112CW01, HFNBEPSP112CW01, HFNBXFSP112CW01, HFNCXFSP111CW01, HWFR71*N1102, HWFT71*N1102, HWFT73*N1102 and HWFX71*N1102
	685942	Instruction Label	All other models
8	38717	Single Overlay	
	39073	Dual Overlay	Dual drop; Models HFNBDFSG112CW01, HFNBDFSP112CW01, HWFB71*N1102, HWFT71*N1102 and HWFT73*N1102
	38676	Overlay Kit	Dual drop
9	511633WP	Security Cabinet Front Assembly	White
	511633QP	Security Cabinet Front Assembly	Bisque
	511633B	Security Cabinet Front Assembly	Black

* Add Letter To Designate Color. N - Stainless Steel Q - Bisque W - White

Non-Electronic Coin Drop

Models BFNBCFSG111TN01, BFNBCFSG111TW01, BFNBCFSG112TN01, BFNBCFSG112TW01, BFNBCFSP112TW01, BFNBEPSP112CN01, BFNBEPSP112CW01, BFNBXFSP112FW01, BFNBXFSP302AW01, BWF71*N1127, BWF71*N3050, BWF74*N4000, BWF75*N4000, HFNBCFSG111TN01, HFNBCFSG112TN01, HFNBCFSG112TQ01, HFNBCFSG112TW01, HFNBCFSP111TN01, HFNBCFSP112TN01, HFNBCFSP112TQ01, HFNBCFSP112TW01, HFNBDFSG112CW01, HFNBDFSP112CW01, HFNBEPSP112CW01, HFNBXFSP112CW01, HFNBXFSP112FQ01, HFNBXFSP122DW01, HFNBXFSP302NW22, HFNBXFSP542DW01, HFNCXFSP111CW01, HWFB71*N, HWFB71*N1102, HWFR71*N1102, HWFT71*N, HWFT71*N1102, HWFT73*N, HWFT73*N1102, HWFX71*N1102, HWFX71*N1127, NWF74*N4000, NWF75*N4000, SFNBCFSG112TQ01, SFNBCFSG112TW01, SFNBCFSP112TQ01, SFNBCFSP112TW01, SFNBXFSG082JW01, SFNBXFSG112TQ01, SFNBXFSG112TW01, SFNBXFSP112TQ01, SFNBXFSP112TW01, SFNBXFSP122DW01, SFNBXFSP301NW22, SFNBXFSP302AW01, SFNBXFSP302NQ01, SFNBXFSP302NW01, SFNBXFSP302NW22, SFNBXFSP542DW01, SFNCCFSP111TW01, SWFA71*N, SWFA71*N3050, SWFA71*N3069, SWFA73*N, SWFB71*N, SWFB72*N, SWFB73*N, SWFT71*N, SWFT73*N, SWFX71*N, SWFX71*N1127, SWFX71*N3000, SWFX71*N3050, SWFX71*N3051, SWFX71*N5400, SWFX73*N, SWFX74*N4000 and SWFX75*N4000



FLW960PA_802739

Non-Electronic Coin Drop

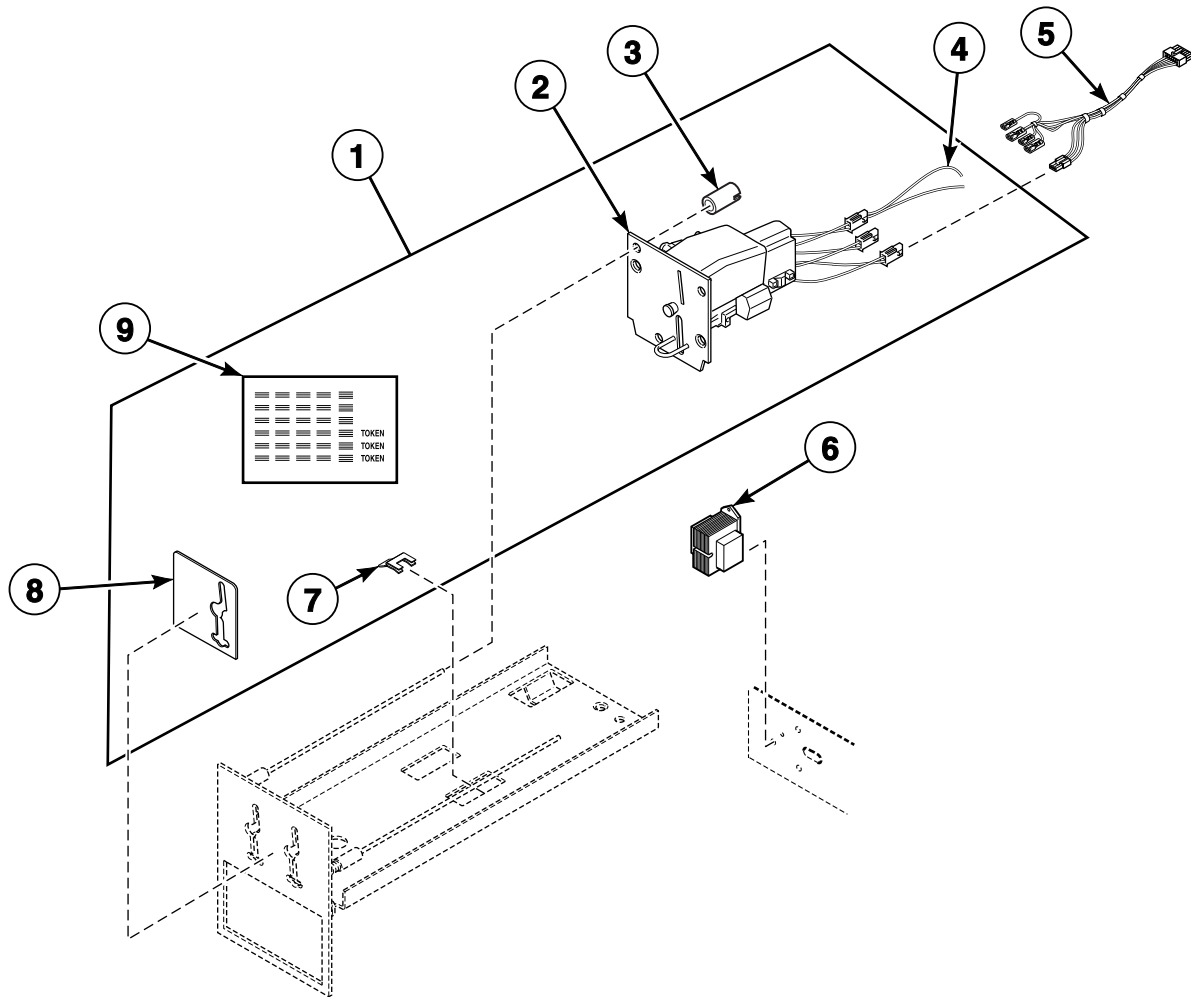
REF	PART NO.	DESCRIPTION	COMMENTS
1	70441601P	Coin Drop	U.S.A.; \$.25
	70441602	Coin Drop Assembly	Canada; .25 and 1.00
	38464P	Coin Drop Assembly	Canada; .25
	38467	Coin Drop Assembly	Australia; .20 and 1.00
	70447301	Coin Drop Assembly	Australia; 1.00 and 2.00
	38472	Coin Drop Assembly	England; 20 pence and 1 pound
	38519	Coin Drop Assembly	Japan; 100 yen and 500 yen
	38521	Coin Drop Assembly	Korea; 100 won and 500 won
	N/A	Coin Drop Assembly	New Zealand; .20 and 1.00
	70482401	Coin Drop Assembly	New Zealand; 1.00 and 2.00
	CK114	Coin Drop Assembly	Singapore; 1.00
	38462P	Coin Drop Assembly	Token; STD-118-1
	38463	Coin Drop Assembly	Token; STD-118-5
	38963P	Coin Drop	Token; STD-118-16
2	200674P	Opto Coupler	
3	802904P	Harness Assembly	Models BFNBCFSG111TN01, BFNBCFSG111TW01, BFNBCFSG112TN01, BFNBCFSG112TW01, BFNBCFSP112TW01, HFNBCFSG111TN01, HFNBCFSP111TN01, HWFB71*N, HWFT71*N, HWFT73*N, SFNBCFSG112TQ01, SFNBCFSG112TW01, SFNBCFSP112TQ01, SFNBCFSP112TW01, SFNCCFSP111TW01, SWFB71*N, SWFB72*N, SWFB73*N, SWFT71*N and SWFT73*N
	802905	Harness Assembly	All other models
4	29786	Nut	
5	201595P	Wire Guard	Anti-stringing security device
6	38725	Coin Identification Paper	

* Add Letter To Designate Color. N - Stainless Steel Q - Bisque W - White

N/A = Part no longer available

Electronic Coin Drop

Models BFNBCFSG111TN01, BFNBCFSG111TW01, BFNBCFSG112TN01, BFNBCFSG112TW01, BFNBCFSP112TW01, BFNBEFSP111CN01, BFNBEFSP111CW01, BFNBEFSP111TN01, BFNBEFSP111TW01, BFNBEFSP112CN01, BFNBEFSP112CW01, BFNBFSP112FW01, BFNBFSP302AW01, BWF71*N1127, BWF71*N3050, BWF74*N4000, BWF75*N4000, HFNBCFSG111TN01, HFNBCFSG112TN01, HFNBCFSG112TQ01, HFNBCFSG112TW01, HFNBCFSP111TN01, HFNBCFSP112TN01, HFNBCFSP112TQ01, HFNBCFSP112TW01, HFNBCRSP112TW01, HFNBDFSG112CW01, HFNBDFSP112CW01, HFNBDRSP112CW01, HFNBDFSP112CW01, HFNBERSP112CW01, HFNBXFSP112CW01, HFNBXFSP112FQ01, HFNBXFSP122DW01, HFNBXFSP302NW22, HFNBXFSP542DW01, HFNBXRSP112FW28, HFNCXFSP111CW01, HFNCXRSP111CW01, HWFB71*N, HWFB71*N1102, HWFR71*N1102, HWFT71*N, HWFT71*N1102, HWFT73*N, HWFT73*N1102, HWFX71*N1102, HWFX71*N1127, HWRR71*N1102, HWRT71*N, HWRT71*N1102, HWRX71*N1102, NWF74*N4000, NWF75*N4000, SFNBCFSG112TQ01, SFNBCFSG112TW01, SFNBCFSP112TQ01, SFNBCFSP112TW01, SFNBCRSP111TW02, SFNBCRSP112TW01, SFNBCRSP112TW02, SFNBXFG082JW01, SFNBXFG112TQ01, SFNBXFG112TW01, SFNBXFSP112TQ01, SFNBXFSP112TW01, SFNBXFSP122DW01, SFNBXFSP301NW22, SFNBXFSP302AW01, SFNBXFSP302NQ01, SFNBXFSP302NW01, SFNBXFSP302NW22, SFNBXFSP542DW01, SFNBXRSP112TW01, SFNBXRSP112TW02, SFNCCFSP111TW01, SFNCCRSP111TW01, SFNCCRSP111TW02, SFNCXRSP111TW02, SWFA71*N, SWFA71*N3050, SWFA71*N3069, SWFA73*N, SWFB71*N, SWFB72*N, SWFB73*N, SWFT71*N, SWFT73*N, SWFX71*N, SWFX71*N1127, SWFX71*N3000, SWFX71*N3050, SWFX71*N3051, SWFX71*N5400, SWFX73*N, SWFX74*N4000, SWFX75*N4000, SWRB71*N, SWRT71*N, SWRT73*N and SWRX71*N



FLW1005P_802739

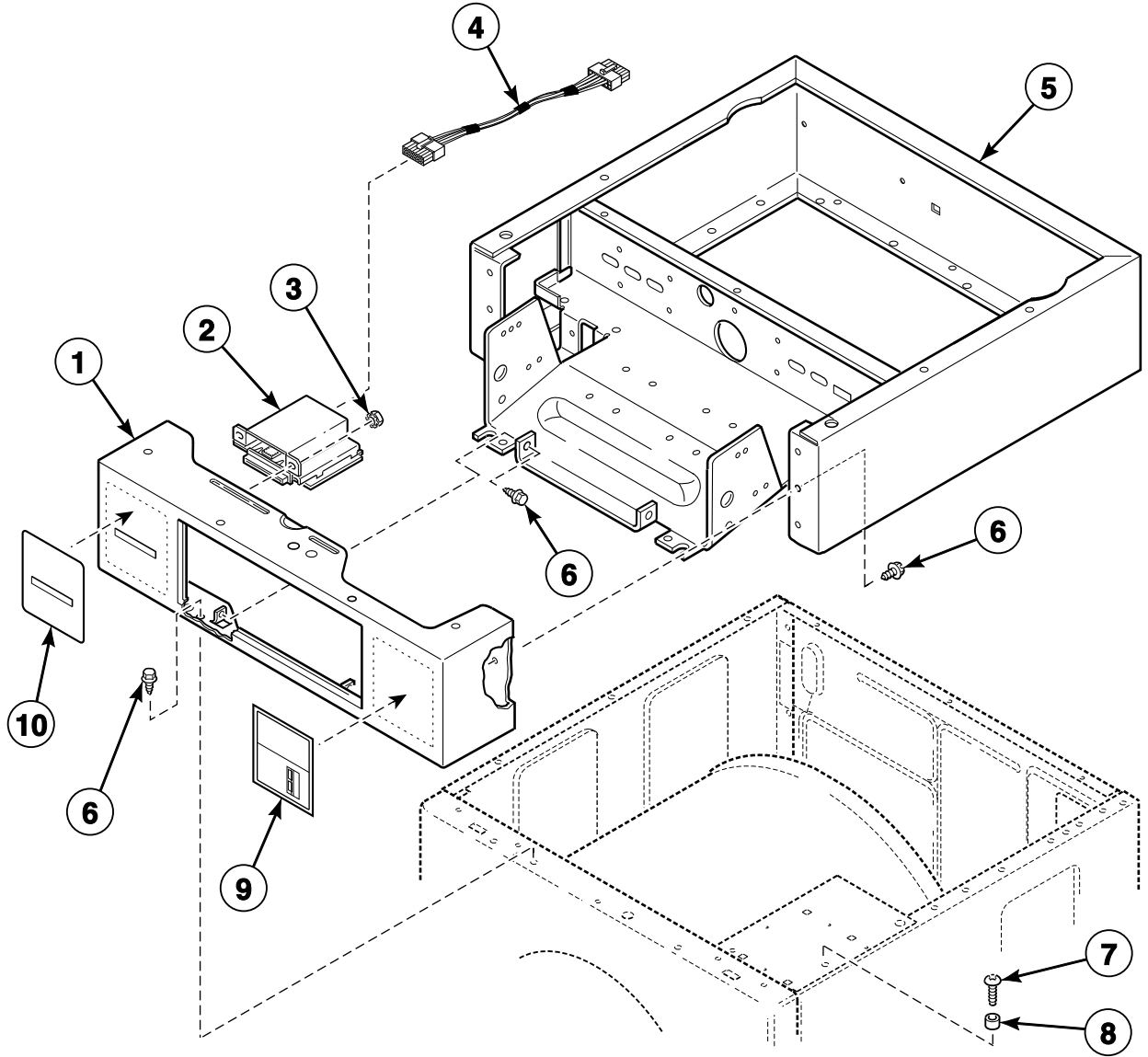
Electronic Coin Drop

REF	PART NO.	DESCRIPTION	COMMENTS
1	CK115	Electronic Coin Drop Kit	Includes items 2-4 and 7-9; United States and Canada coins
	CK113	Electronic Coin Drop Kit	Includes items 2-4 and 7-9; Japan and Taiwan coins
	CK099	Electronic Coin Drop Kit	Includes items 2-4 and 7-9; Australia, New Zealand, Hong Kong, South Korea and Malaysia coins
	CK100	Electronic Coin Drop Kit	Includes items 2-4 and 7-9; Euro and Great Britain coins
	CK101	Electronic Coin Drop Kit	Includes items 2-4 and 7-9; Euro, Denmark and Norway coins
	CK103	Electronic Coin Drop Kit	Includes items 2-4 and 7-9; Euro, Lithuania and Latvia coins
	CK106	Electronic Coin Drop Kit	Includes items 2-4 and 7-9; Malaysia, China, Russia and Singapore coins
	CK108	Electronic Coin Drop Kit	Includes items 2-4 and 7-9; South African 1, 2 and 5 rand coins
	CK109	Electronic Coin Drop Kit	Includes items 2-4 and 7-9; Euro coins
	CK110	Electronic Coin Drop Kit	Includes items 2-4 and 7-9; Mexico, Ecuador and United States coins
	CK120	Electronic Coin Drop Kit	Includes items 2-4 and 7-9; Chile coins
	CK121	Electronic Coin Drop Kit	Includes items 2-4 and 7-9; Singapore coins
2	70294105P	Electronic Coin Drop Assembly	Australia, New Zealand, Hong Kong, South Korea and Malaysia coins
	70294103P	Electronic Coin Drop Assembly	Euro and Great Britain coins
	70294104	Electronic Coin Drop Assembly	Euro, Denmark and Norway coins
	70294107	Electronic Coin Drop Assembly	Euro, Lithuania and Latvia coins
	70294109	Electronic Coin Drop Assembly	Malaysia, China, Russia and Singapore coins
	70294110	Electronic Coin Drop Assembly	South African 1, 2 and 5 rand coins
	70294111	Electronic Coin Drop Assembly	Euro coins
	70294106	Electronic Coin Drop Assembly	Mexico, Ecuador and United States coins
	70294120	Electronic Coin Drop Assembly	Chile coins
70294121	Electronic Coin Drop Assembly	Singapore coins	
3	201216	Nut	Slotted nut; Use on front control models with guide rods through Serial No. 1007022688 and all rear control models
	29786	Nut	Hex nut; Use on front control models with no guide rods; Models starting Serial No. 1007022689
4	201104	Coin Drop Wire Harness	
5	802905	Harness Assembly	Electronic coin drop requires this harness. If unit is not factory-equipped with this harness, it must be ordered separately.
6	201375P	Transformer	Electronic coin drop requires this transformer. If unit is not factory-equipped with this transformer, it must be ordered separately.
7	201572	Clip	
8	201091	Overlay	
9	38725	Coin Identification Paper	

* Add Letter To Designate Color. N - Stainless Steel Q - Bisque W - White

Wrapper Assembly and Card Reader

Models BFNBYFSP112TW01, HFNBYFSG112CW01, HFNBYFSP112CW01, HWFY71*N1102, HWFY73*N1102, HWFY74*N4000, HWFY75*N4000, SFNBYFSG112TW01, SFNBYFSP112TW01, SFNCYFSP111TW01, SWFF71*N, SWFF71*N3050, SWFF73*N, SWFY71*N and SWFY73*N



FLW898P_802739

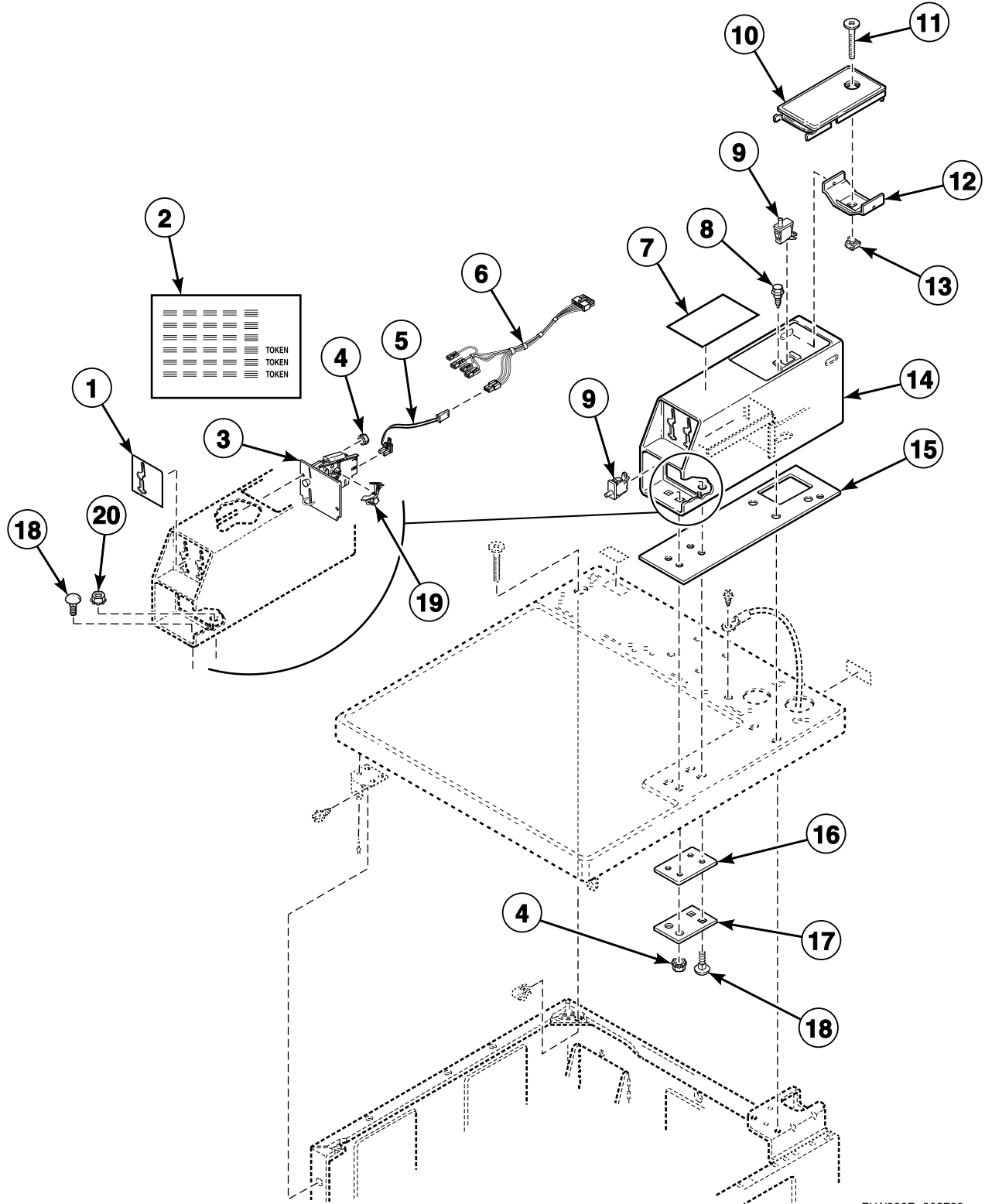
Wrapper Assembly and Card Reader

REF	PART NO.	DESCRIPTION	COMMENTS
1	511209WP	Security Cabinet Front Assembly	White
	511209Q	Security Cabinet Front Assembly	Bisque
2	510068P	Card Reader and Bracket Assembly	Models SWFF71*N, SWFF71*N3050 and SWFF73*N
3	70054	Nut	
4	800125P	Card Reader Wire Harness Assembly	Models SWFF71*N, SWFF71*N3050 and SWFF73*N
5	801235W	Security Cabinet Wrapper Assembly	White; Models HWFY74*N4000 and HWFY75*N4000
	801235Q	Security Cabinet Wrapper Assembly	Bisque; Models HWFY74*N4000 and HWFY75*N4000
	505753WP	Wrapper and Channel Assembly	White; All other models
	505753QP	Wrapper and Channel Assembly	Bisque; All other models
6	503688	Screw	
7	39733	Screw	
8	56079	Panel Locator	
9	801217	Operating Instruction Label	Models HWFY74*N4000, HWFY75*N4000 and SWFF71*N3050
	803594	Operating Instruction Label	French/English; Models HFNBYSFG112CW01, HFNBYSFSP112CW01, HWFY71*N1102 and HWFY73*N1102
	685942	Instruction Label	All other models
10	511548	Card Insert Overlay	Models HFNBYSFG112CW01, HFNBYSFSP112CW01, HWFY71*N1102, HWFY73*N1102, HWFY74*N4000 and HWFY75*N4000
	800230	Card Reader Overlay	Models SWFF71*N, SWFF71*N3050 and SWFF73*N
	511544	Card Insert Overlay	Models BFNBYSFSP112TW01, SFNBYSFG112TW01, SFNBYSFSP112TW01, SFNCYFSP111TW01, SWFY71*N and SWFY73*N
	210131	Overlay	Models HWFY74*N4000 and HWFY75*N4000

* Add Letter To Designate Color. Q - Bisque W - White

Non-Electronic Coin Drop, Meter Case and Service Door

Models HFNBCRSP112TW01, HFNBDRSP112CW01, HFNBERSP112CW01,
 HFNBXRSP112FW28, HFNCXRSP111CW01, HWRR71*N1102, HWRT71*N,
 HWRT71*N1102, HWRX71*N1102, SFNBCRSP111TW02, SFNBCRSP112TW01,
 SFNBCRSP112TW02, SFNBXRSP112TW01, SFNBXRSP112TW02,
 SFNCCRSP111TW01, SFNCCRSP111TW02, SFNCXRSP111TW02, SWRB71*N,
 SWRT71*N, SWRT73*N and SWRX71*N



FLW980P_802739

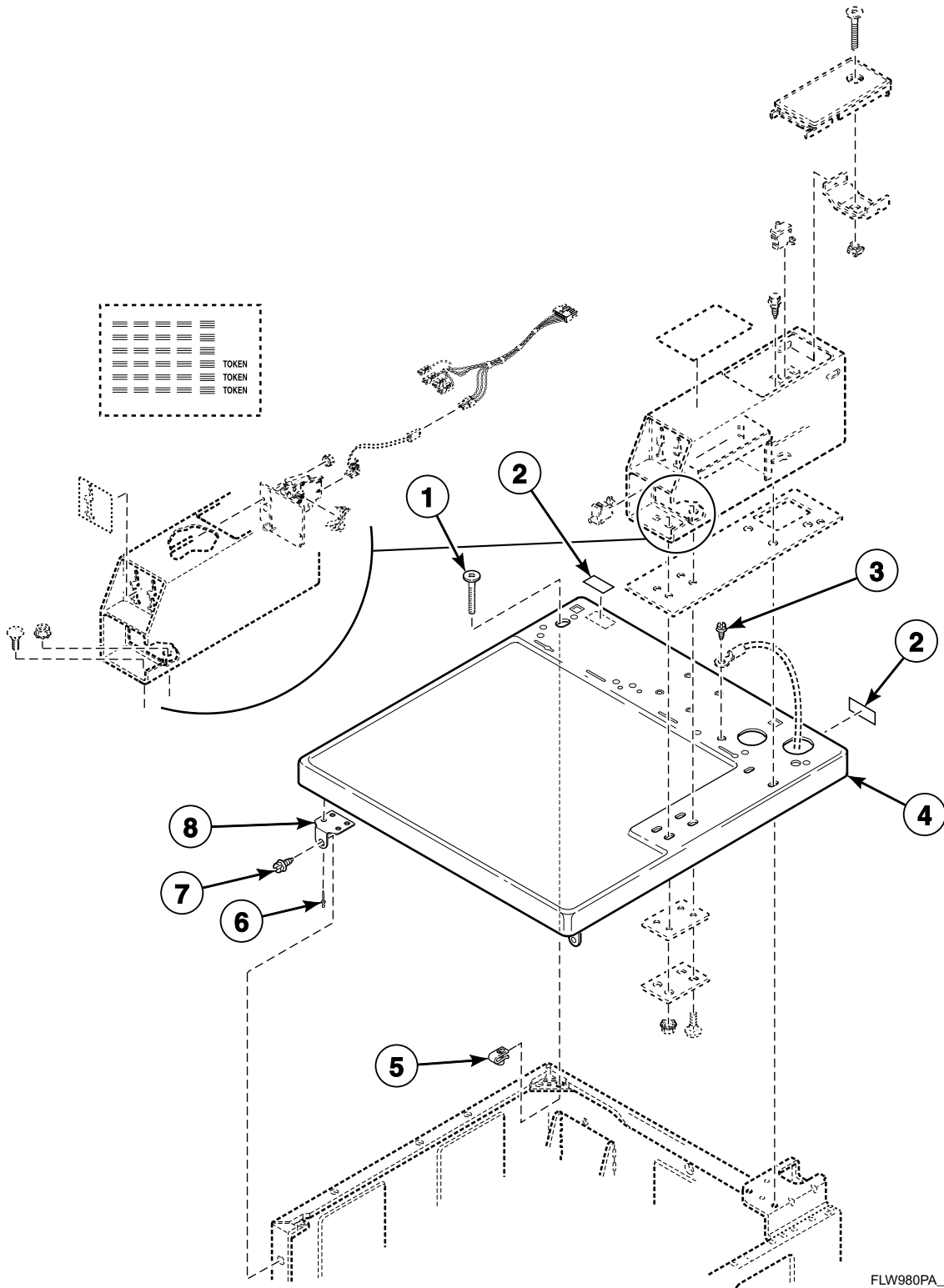
Non-Electronic Coin Drop, Meter Case and Service Door

REF	PART NO.	DESCRIPTION	COMMENTS
1	202123	Single Overlay	Models SFNBCRSP111TW02 and SFNCCRSP111TW02; Models through Serial No. 1010011547
	38717	Single Overlay	Models HFNBCRSP112TW01, HFNBXRSP112FW28, HWRT71*N, SFNBCRSP112TW01, SFNBCRSP112TW02, SFNBXRSP112TW01, SFNBXRSP112TW02, SFNCCRSP111TW01, SWRB71*N, SWRT71*N, SWRT73*N and SWRX71*N; Models SFNBCRSP111TW02 and SFNCCRSP111TW02 starting Serial No. 1010011548
	39073	Dual Overlay	Models HFNBDRSP112CW01, HFNBERSP112CW01, HFNCXRSP111CW01, HWRT71*N1102 and HWRX71*N1102
2	38725	Coin Identification Paper	
3	70441601P	Coin Drop	Models HFNBCRSP112TW01, HFNBXRSP112FW28, HWRT71*N, SFNBCRSP112TW01, SFNBCRSP112TW02, SFNBXRSP112TW01, SFNBXRSP112TW02, SFNCCRSP111TW01, SFNCCRSP111TW02, SFNCXRSP111TW02, SWRB71*N, SWRT71*N, SWRT73*N and SWRX71*N
	70441602	Coin Drop Assembly	Models HFNBDRSP112CW01, HFNBERSP112CW01, HFNCXRSP111CW01, HWRT71*N1102 and HWRX71*N1102
4	29786	Nut	
5	200674P	Opto Coupler	
6	802905	Harness Assembly	Models HFNBDRSP112CW01, HFNBERSP112CW01, HFNBXRSP112FW28, HFNCXRSP111CW01, HWRR71*N1102, HWRT71*N1102, HWRX71*N1102, SFNBXRSP112TW01, SFNBXRSP112TW02, SFNCXRSP111TW02 and SWRX71*N
	802904P	Harness Assembly	Models HFNBCRSP112TW01, HWRT71*N, SFNBCRSP111TW02, SFNBCRSP112TW01, SFNBCRSP112TW02, SFNCCRSP111TW01, SFNCCRSP111TW02, SWRB71*N, SWRT71*N and SWRT73*N
7	803595	Operating Instruction Label	French/English; Models HFNBDRSP112CW01, HFNBERSP112CW01, HFNCXRSP111CW01, HWRR71*N1102, HWRT71*N1102 and HWRX71*N1102
	800137	Rear Control Operating Instruction Label	All other models
8	36048	Screw	
9	512973	Switch	
10	803043WP	Service Door Assembly	Models SFNBCRSP111TW02, SFNCCRSP111TW02 and SFNCXRSP111TW02; Models through Serial No. 1010011547
	39874WP	Service Door Assembly	White; All other models
	39874QP	Service Door Assembly	Bisque; All other models
11	503673	Screw	All models except SFNBCRSP111TW02, SFNCCRSP111TW02 AND SFNCXRSP111TW02 through Serial No. 1010011547
12	30642	Meter Case Locking Bracket	All models except SFNBCRSP111TW02, SFNCCRSP111TW02 AND SFNCXRSP111TW02 through Serial No. 1010011547
13	30647	Nut	All models except SFNBCRSP111TW02, SFNCCRSP111TW02 AND SFNCXRSP111TW02 through Serial No. 1010011547
14	803063WP	Meter Case Assembly Kit	Models SFNBCRSP111TW02, SFNBCRSP112TW02, SFNBXRSP112TW02, SFNCCRSP111TW02 and SFNCXRSP111TW02
	803578P	Coin Box Extension Kit	Use with 803063W Meter Case Assembly to extend shorter 7-inch coin boxes; Models SFNBCRSP111TW02, SFNCCRSP111TW02 and SFNCXRSP111TW02 starting Serial No. 1010011548
	802505W	Meter Case Assembly	White; Model HWRR71*N1102
	802505Q	Meter Case Assembly	Bisque; Model HWRR71*N1102
	38724W	Meter Case Assembly	White; All other models
	38724Q	Meter Case Assembly	Bisque; All other models
15	26354	Meter Case Gasket	
16	35526	Meter Case Bracket Gasket	
17	35525	Meter Case Lockdown Bracket	
18	02505	Bolt	
19	201595P	Wire Guard	Anti-stringing security device
20	802337	Nut	

* Add Letter To Designate Color. Q - Bisque W - White

Cabinet Top

Models HFNBCRSP112TW01, HFNBDRSP112CW01, HFNBERSP112CW01, HFNBXRSP112FW28, HFNCXRSP111CW01, HWRR71*N1102, HWRT71*N, HWRT71*N1102, HWRX71*N1102, SFNBCRSP111TW02, SFNBCRSP112TW01, SFNBCRSP112TW02, SFNBXRSP112TW01, SFNBXRSP112TW02, SFNCCRSP111TW01, SFNCCRSP111TW02, SFNCXRSP111TW02, SWRB71*N, SWRT71*N, SWRT73*N and SWRX71*N



FLW980PA_802739

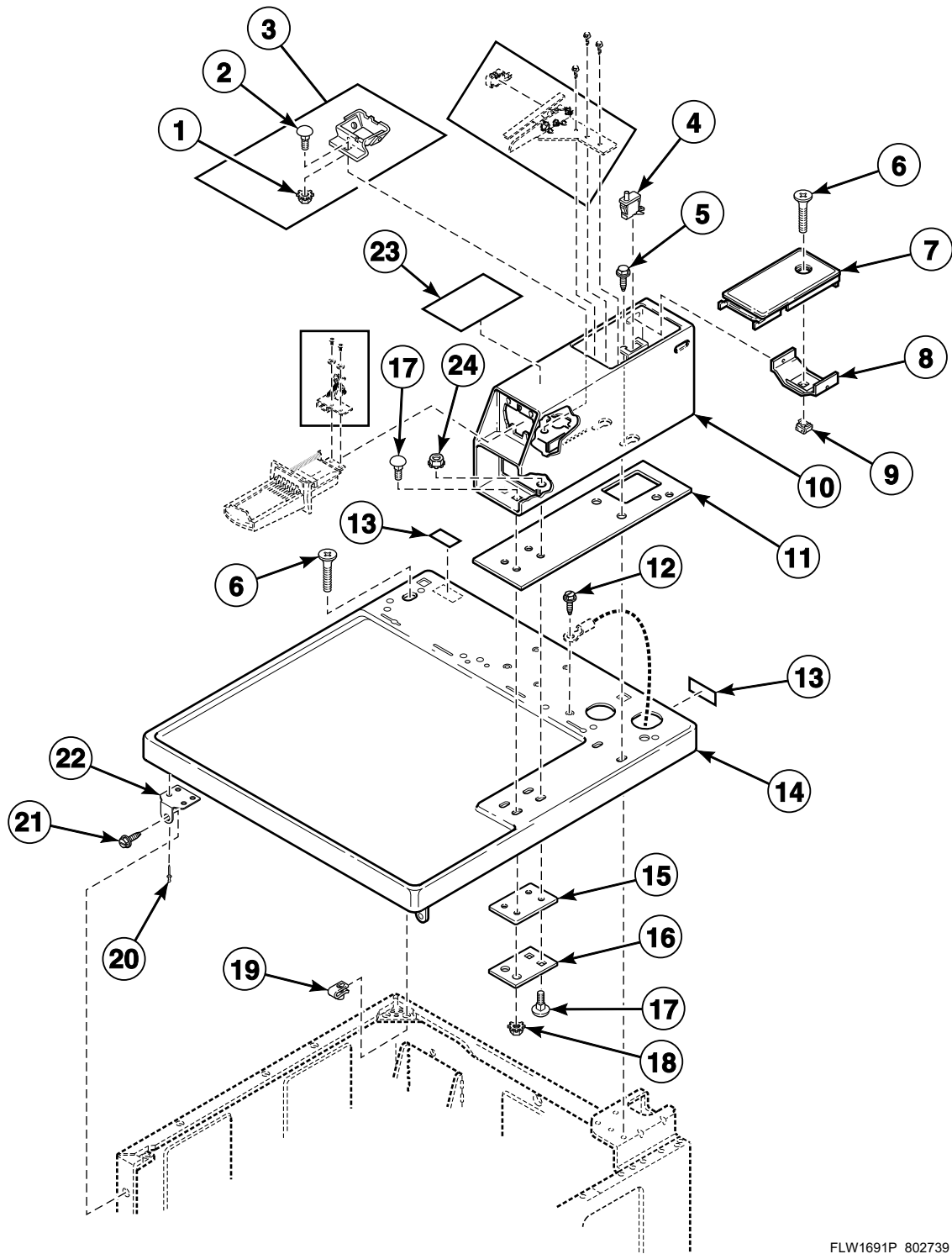
Cabinet Top

REF	PART NO.	DESCRIPTION	COMMENTS
1	503673	Screw	All models except SFNBCRSP111TW02, SFNBCRSP112TW02, SFNBXRSP112TW02, SFNCCRSP111TW02 and SFNCXRSP111TW02
2	500316	Warning Label	Models HFNBDRSP112CW01, HFNBERSP112CW01, HFNCXRSP111CW01, HWRR71*N1102, HWRT71*N1102 and HWRX71*N1102
	505281	Disconnect Power Warning Label	All other models
3	20530	Screw	
4	511527WP	Top Kit	White
	511527QP	Top Kit	Bisque
5	27222	Nut	
6	70058501	Pop Rivet	
7	503661	Screw	
8	510146	Bracket	

* Add Letter To Designate Color. Q - Bisque W - White

Meter Case, Service Door and Cabinet Top

Models HFNSXRSP112CW01, HWR971*N1102, HWR971*N1127, HWR973*N1102, SFNSXRSP111TW02, SFNSXRSP112TQ01, SFNSXRSP112TW01, SFNSXRSP112TW02, SFNSXRSP541NQ23, SFNSXRSP541NW23, SFNTRSP111TW01, SFNTRSP111TW02, SWR971*N and SWR973*N



FLW1691P_802739

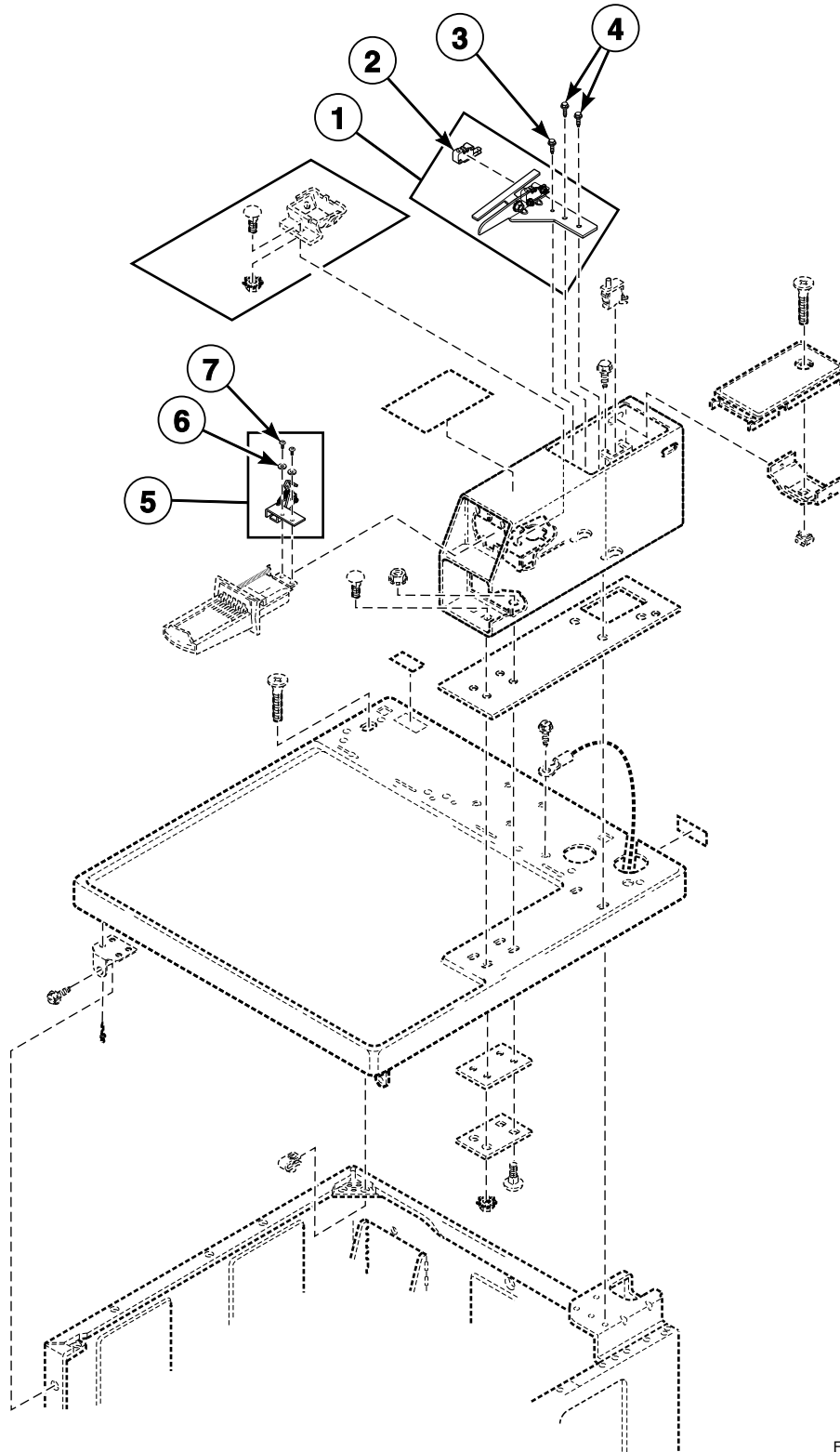
Meter Case, Service Door and Cabinet Top

REF	PART NO.	DESCRIPTION	COMMENTS
1	M412986	Nut	All models except SFNSXRSP111TW02 and SFNTRSP111TW02 through Serial No. 1010011547
2	29651	Bolt	All models except SFNSXRSP111TW02 and SFNTRSP111TW02 through Serial No. 1010011547
3	523P3	Coin Funnel Kit	All models except SFNSXRSP111TW02 and SFNTRSP111TW02 through Serial No. 1010011547
4	512973	Switch	
5	36048	Screw	
6	503673	Screw	All models except SFNSXRSP111TW02 and SFNTRSP111TW02 through Serial No. 1010011547
7	803043WP	Service Door Assembly	Models SFNSXRSP111TW02 and SFNTRSP111TW02; Models through Serial No. 1010011547
	39874WP	Service Door Assembly	White; All other models
	39874QP	Service Door Assembly	Bisque; All other models
8	30642	Meter Case Locking Bracket	All models except SFNSXRSP111TW02 and SFNTRSP111TW02 through Serial No. 1010011547
9	30647	Nut	All models except SFNSXRSP111TW02 and SFNTRSP111TW02 through Serial No. 1010011547
10	803042W	Meter Case Assembly	Models SFNSXRSP111TW02 and SFNTRSP111TW02; Models through Serial No. 1010011547
	803576W	Meter Case Assembly	Models SFNSXRSP111TW02 and SFNTRSP111TW02; Models starting Serial No. 1010011548
	801330W	Meter Case Assembly	White; All other models
	801330Q	Meter Case Assembly	Bisque; All other models
11	26354	Meter Case Gasket	
12	20530	Screw	
13	500316	Warning Label	Models HFNSXRSP112CW01, HWR971*N1102 and HWR973*N1102
	505281	Disconnect Power Warning Label	All other models
14	511527WP	Top Kit	White
	511527QP	Top Kit	Bisque
15	35526	Meter Case Bracket Gasket	
16	35525	Meter Case Lockdown Bracket	
17	02505	Bolt	
18	29786	Nut	
19	27222	Nut	
20	70058501	Pop Rivet	
21	503661	Screw	
22	510146	Bracket	
23	803595	Operating Instruction Label	French/English; Models HFNSXRSP112CW01, HWR971*N1102 and HWR973*N1102
	800137	Rear Control Operating Instruction Label	All other models
24	802337	Nut	

* Add Letter To Designate Color. Q - Bisque W - White

Coin Slide Extension Through Serial No. 1211

Models HWR971*N1102, HWR971*N1127, HWR973*N1102, SFNSXRSP112TW02, SFNSXRSP541NQ23, SFNSXRSP541NW23, SFNTRSP111TW01, SFNTRSP111TW02, SWR971*N and SWR973*N



FLW1691PA_802739

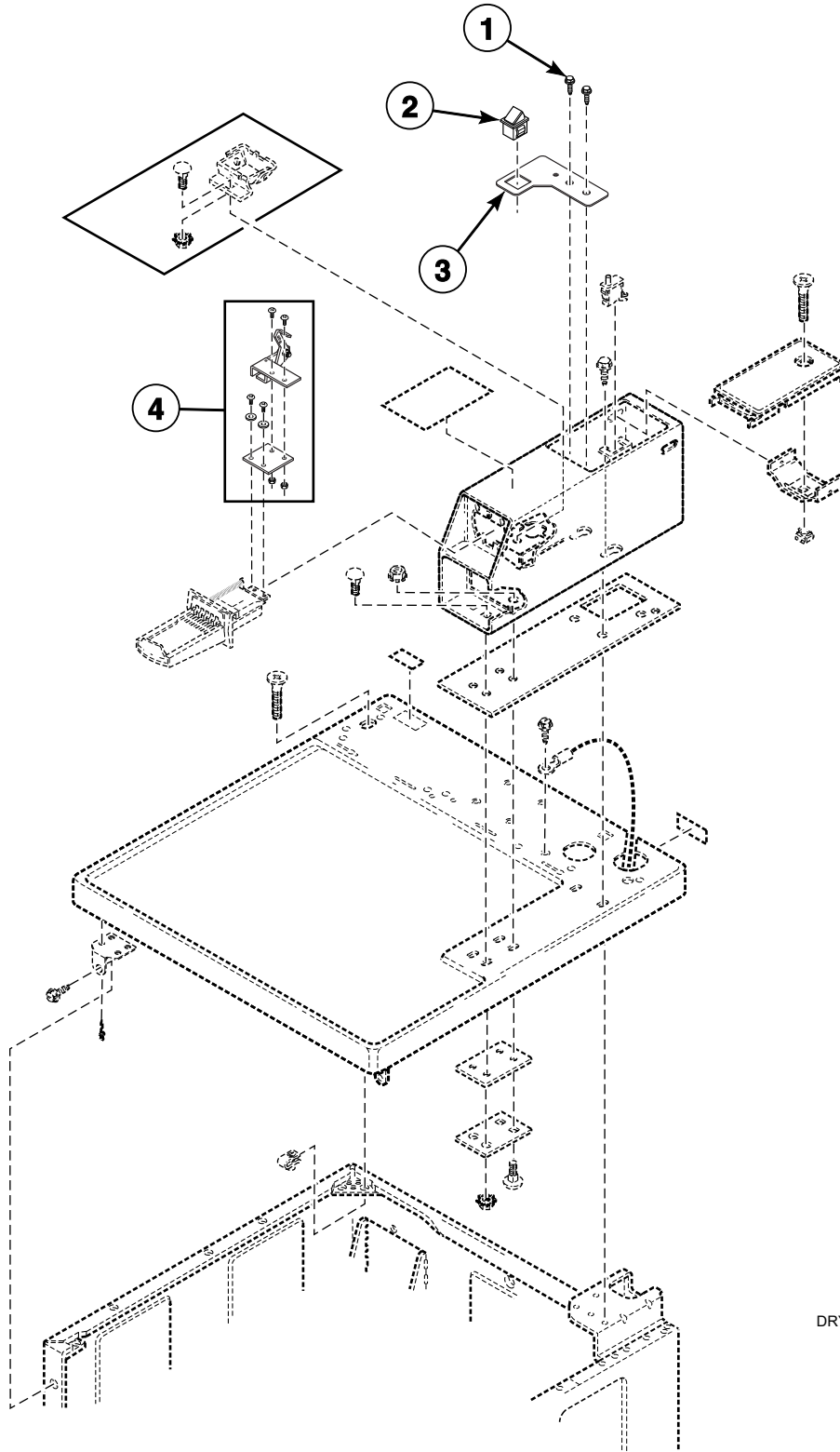
Coin Slide Extension Through Serial No. 1211

REF	PART NO.	DESCRIPTION	COMMENTS
1	514228	Coin Slide Extension Kit	Includes item 2; All models except SFNSXRSP111TW02 and SFNTRSP111TW02 through Serial No. 1010011547
2	201952	Switch	All models except SFNSXRSP111TW02 and SFNTRSP111TW02 through Serial No. 1010011547
3	51782	Screw	All models except SFNSXRSP111TW02 and SFNTRSP111TW02 through Serial No. 1010011547
4	503688	Screw	
5	200913	Coin Slide Extension Kit	All models except SFNSXRSP111TW02 and SFNTRSP111TW02 through Serial No. 1010011547
6	03815	Washer	All models except SFNSXRSP111TW02 and SFNTRSP111TW02 through Serial No. 1010011547
7	27328	Screw	All models except SFNSXRSP111TW02 and SFNTRSP111TW02 through Serial No. 1010011547

* Add Letter To Designate Color. Q - Bisque W - White

Coin Slide Extension Starting Serial No. 1211

Models HFNSXRSP112CW01, HWR971*N1102, HWR971*N1127, HWR973*N1102, SFNSXRSP111TW02, SFNSXRSP112TQ01, SFNSXRSP112TW01, SFNSXRSP112TW02, SFNSXRSP541NQ23, SFNSXRSP541NW23, SFNTRSP111TW01, SFNTRSP111TW02, SWR971*N and SWR973*N



DRY2282P_802739

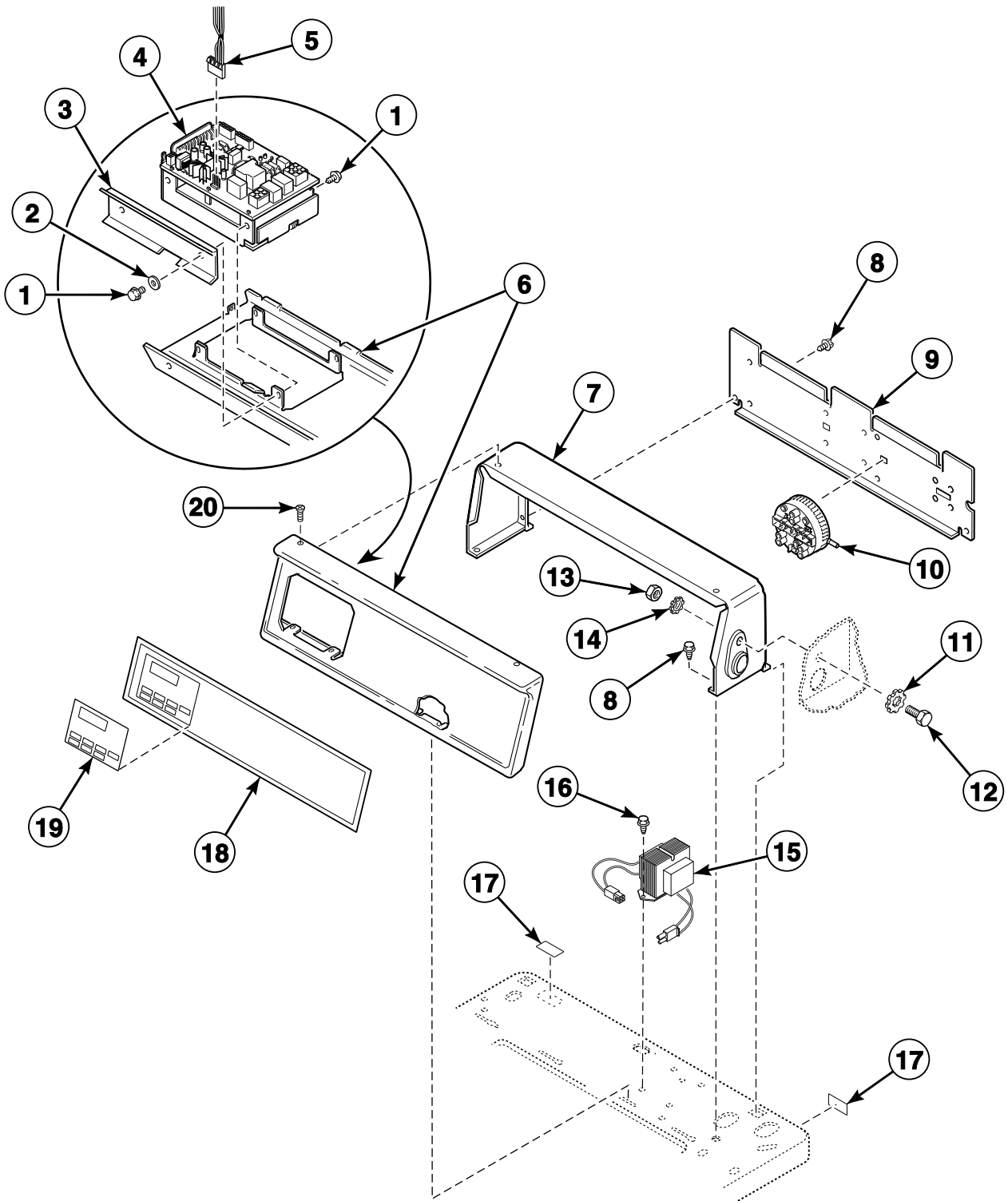
Coin Slide Extension Starting Serial No. 1211

REF	PART NO.	DESCRIPTION	COMMENTS
1	503688	Screw	
2	431159	Switch	
3	803662	Bracket	
4	200913	Coin Slide Extension Kit	Includes items 2 and 3

* Add Letter To Designate Color. Q - Bisque W - White

Control Panel, Control Hood and Controls (Drawing 1 of 3)

Models HFNBCRSP112TW01, HFNBDRSP112CW01, HFNBERSP112CW01, HFNBXRSP112FW28, HFNCXRSP111CW01, HWRR71*N1102, HWRT71*N, HWRT71*N1102, HWRX71*N1102, SFNBCRSP111TW02, SFNBCRSP112TW01, SFNBCRSP112TW02, SFNBXRSP112TW01, SFNBXRSP112TW02, SFNCCRSP111TW01, SFNCCRSP111TW02, SFNCXRSP111TW02, SWRB71*N, SWRT71*N, SWRT73*N and SWRX71*N



FLW1681P_802739

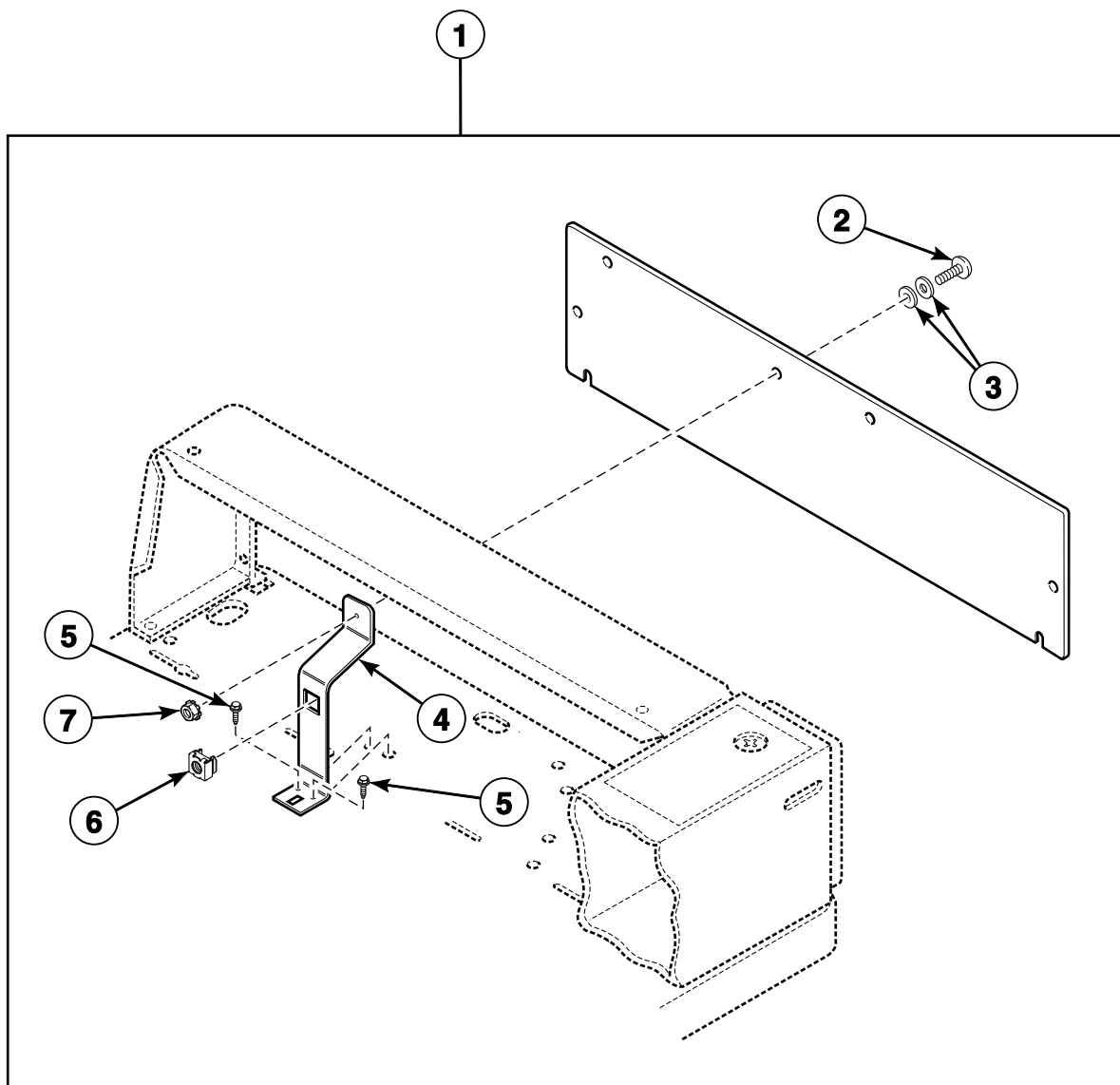
Control Panel, Control Hood and Controls (Drawing 1 of 3)

REF	PART NO.	DESCRIPTION	COMMENTS
1	501524	Screw	
2	200608	Washer	
3	210053	Control Shield	
4	800772P	Control Kit	Model SWRB71*N
	803146P	Control Assembly	All other models
5	511478	Central Pay Harness	All models except SWRB71*N
6	800149W	Control Panel and Bracket Assembly	White
	800149Q	Control Panel and Bracket Assembly	Bisque
7	502567W	Control Hood	White
	502567Q	Control Hood	Bisque
8	501086	Screw	
9	505798	Hood Back Plate	
10	802299P	Pressure Switch	
11	M400017	Washer	
12	02916	Screw	
13	52566	Nut	
14	02431	Washer	
15	201375P	Transformer	Some models may have jumper wire attached to transformer. Discard jumper wire when replacing transformer; Models HFNBDRSP112CW01, HFNBERSP112CW01, HFNBXRSP112FW28, HFNCXRSP111CW01, HWRR71*N1102, HWRX71*N1102, SFNBXRSP112TW01, SFNBXRSP112TW02, SFNCXRSP111TW02 and SWRX71*N
	210018P	Transformer	All other models
16	503661	Screw	
17	500316	Warning Label	Models HFNBDRSP112CW01, HFNBERSP112CW01, HFNCXRSP111CW01, HWRR71*N1102, HWRT71*N1102 and HWRX71*N1102
	505281	Disconnect Power Warning Label	All other models
18	801055	Rear Overlay	Models HFNBDRSP112TW01, HFNBDRSP112CW01, HFNBERSP112CW01, HFNBXRSP112FW28, HFNCXRSP111CW01, HWRR71*N1102, HWRT71*N, HWRT71*N1102 and HWRX71*N1102
	801052	Rear Overlay	Models SFNBDRSP111TW02, SFNBDRSP112TW01, SFNBDRSP112TW02, SFNBXRSP112TW01, SFNBXRSP112TW02, SFNCCRSP111TW01, SFNCCRSP111TW02, SFNCXRSP111TW02, SWRT71*N, SWRT73*N and SWRX71*N
	800414	Graphic Overlay	Model SWRB71*N
19	803597	Overlay	French/English; Models HFNBDRSP112CW01, HFNBERSP112CW01, HFNCXRSP111CW01, HWRR71*N1102, HWRT71*N1102 and HWRX71*N1102
20	52864	Screw	

* Add Letter To Designate Color. Q - Bisque W - White

Control Hood Security Kit

Models HFNBCRSP112TW01, HFNBDRSP112CW01, HFNBERSP112CW01, HFNBXRSP112FW28,
HFNCXRSP111CW01, HWRR71*N1102, HWRT71*N, HWRT71*N1102, HWRX71*N1102,
SFNBCRSP111TW02, SFNBCRSP112TW01, SFNBCRSP112TW02, SFNBXRSP112TW01,
SFNBXRSP112TW02, SFNCCRSP111TW01, SFNCCRSP111TW02, SFNCXRSP111TW02, SWRB71*N,
SWRT71*N, SWRT73*N and SWRX71*N



FLW963P_802739

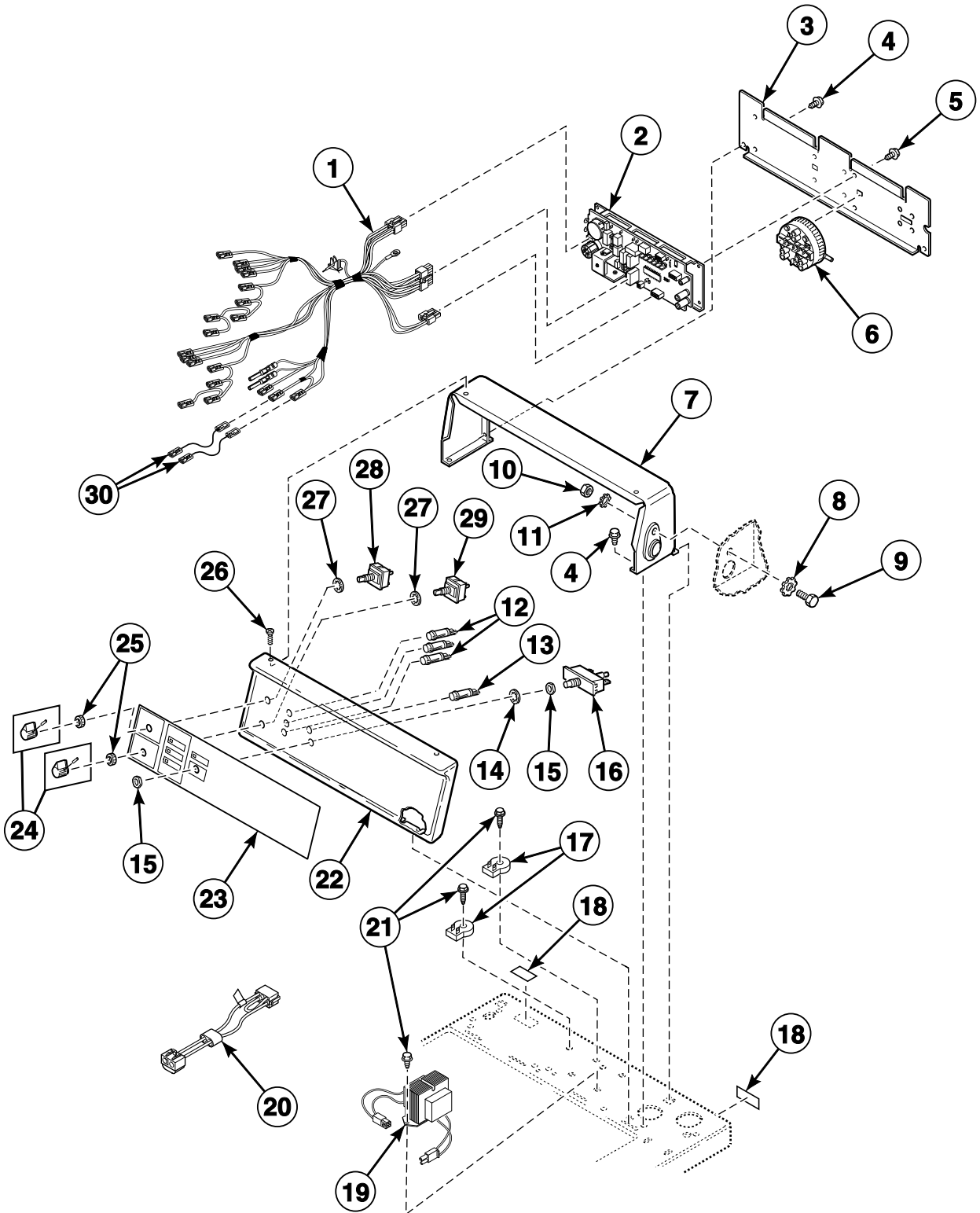
Control Hood Security Kit

REF	PART NO.	DESCRIPTION	COMMENTS
1	905P3	Security Kit	Includes items 2-7 and rear panel
2	32184	Bolt	
3	25100	Washer	
4	201918	Bracket	
5	503688	Screw	
6	30647	Nut	
7	23951	Nut	

* Add Letter To Designate Color. Q - Bisque W - White

Control Panel, Control Hood and Controls (Drawing 2 of 3)

Models HFNSXRSP112CW01, HWR971*N1102, HWR971*N1127, HWR973*N1102, SFNSXRSP111TW02, SFNSXRSP112TQ01, SFNSXRSP112TW01, SFNSXRSP112TW02, SFNSXRSP541NQ23, SFNSXRSP541NW23, SFNTRSP111TW01, SFNTRSP111TW02, SWR971*N and SWR973*N



FLW1679P_802739

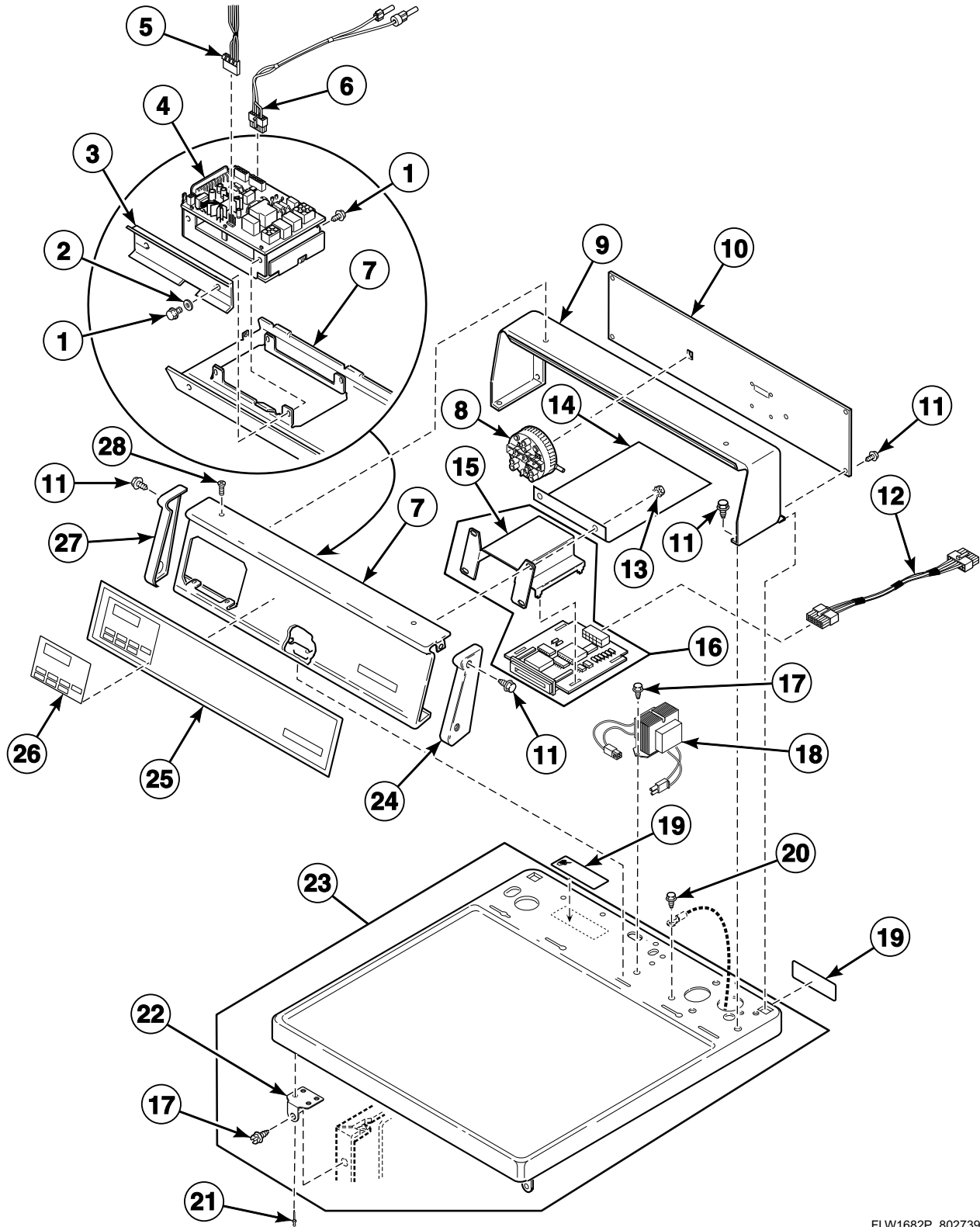
Control Panel, Control Hood and Controls (Drawing 2 of 3)

REF	PART NO.	DESCRIPTION	COMMENTS
1	802786	Rear Control Panel Harness Assembly	
2	804670	Control Assembly	
3	801735	Control Hood Back Panel	
4	501086	Screw	
5	501524	Screw	
6	802299P	Pressure Switch	
7	502567W	Control Hood	White
	502567Q	Control Hood	Bisque
8	M400017	Washer	
9	02916	Screw	
10	52566	Nut	
11	02431	Washer	
12	801431	Light	Green
13	801432	Light	Red
14	25820	Washer	
15	52947	Nut	
16	55882	Switch Assembly	
17	210100	Resistor	Models SFNSXRSP541NQ23 and SFNSXRSP541NW23
18	500316	Warning Label	Models HFNSXRSP112CW01, HWR971*N1102 and HWR973*N1102
	505281	Disconnect Power Warning Label	All other models
19	803527P	Transformer	Models SFNSXRSP541NQ23 and SFNSXRSP541NW23
	210018P	Transformer	All other models
20	M413507	Jumper Configuration Assembly	Models SFNSXRSP541NQ23 and SFNSXRSP541NW23; Attaches to transformer
21	503661	Screw	
22	800142W	Control Panel and Bracket Assembly	White
	800142Q	Control Panel and Bracket Assembly	Bisque
23	801523	Control Panel Overlay	Models HFNSXRSP112CW01, HWR971*N1102, HWR971*N1127 and HWR973*N1102
	801521	Control Panel Overlay	All other models
24	39897	Switch Knob	
25	24205	Nut	
26	52864	Screw	
27	91176	Washer	
28	685595	Temperature Switch	
29	800404	Motor Speed Switch	
30	513131	Jumper Assembly	Models SFNSXRSP111TW02, SFNSXRSP112TW02 and SFNTRSP111TW02; Control panel harness to coin slide switch

* Add Letter To Designate Color. Q - Bisque W - White

Control Panel, Control Hood and Controls (Drawing 3 of 3)

Models HFNBYSRSP112CW01, HWRY71*N1102, SFNBYSRSP112TW01, SFNCYSRSP111TW01, SWRF71*N and SWRY71*N



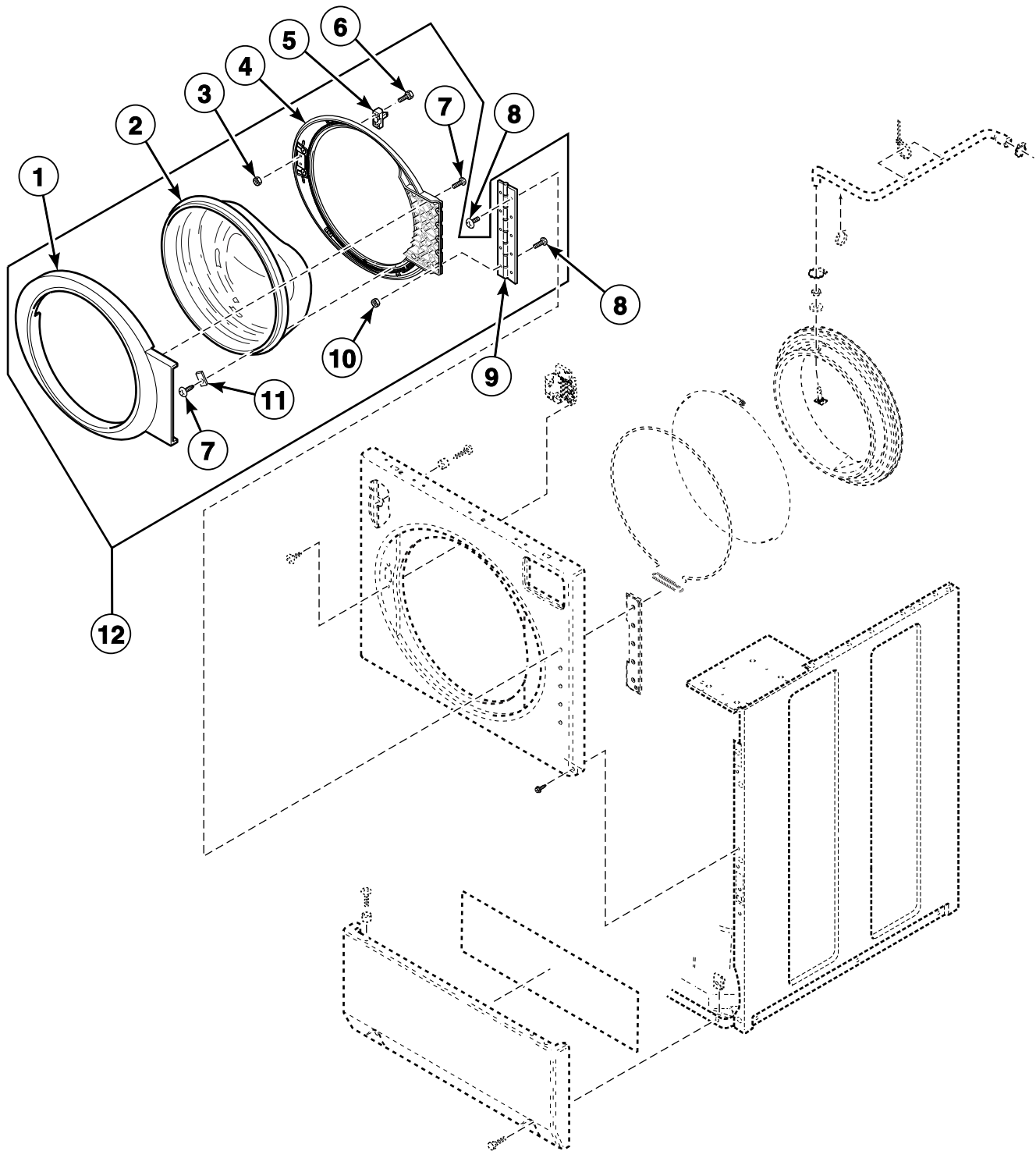
FLW1682P_802739

Control Panel, Control Hood and Controls (Drawing 3 of 3)

REF	PART NO.	DESCRIPTION	COMMENTS
1	501524	Screw	
2	200608	Washer	
3	210053	Control Shield	
4	800772P	Control Kit	Model SWRF71*N
	803146P	Control Assembly	All other models
5	511478	Central Pay Harness	Models HWRY71*N1102, SFNCYRSP111TW01 and SWRY71*N
6	800680	Diagnostic Wire Harness Assembly	
7	800710W	Control Panel and Stud Assembly	White
	800710Q	Control Panel and Stud Assembly	Bisque
8	802299P	Pressure Switch	
9	511253W	Control Hood	White
	511253Q	Control Hood	Bisque
10	801165	Rear Control Hood Panel	
11	501086	Screw	
12	800125P	Card Reader Wire Harness Assembly	Model SWRF71*N
13	70054	Nut	Model SWRF71*N
14	801101	Card Reader Shield	Model SWRF71*N
15	210023	Card Reader Bracket	Model SWRF71*N
16	210045P	Card Reader Assembly	Model SWRF71*N
17	503661	Screw	
18	210018P	Transformer	Model SWRF71*N
	201375P	Transformer	Models HFNBYSRSP112CW01, HWRY71*N1102, SFNBYSRSP112TW01 and SWRY71*N
19	500316	Warning Label	Models HFNBYSRSP112CW01 and HWRY71*N1102
	505281	Disconnect Power Warning Label	All other models
20	20530	Screw	
21	70058501	Pop Rivet	
22	510146	Bracket	
23	511530WP	Top Panel Kit	Includes items 17 and 22
24	210108W	End Cap	Right
25	800228	Control Panel Overlay	Model SWRF71*N
	801190	Control Panel Overlay	Models SFNBYSRSP112TW01, SFNCYRSP111TW01 and SWRY71*N
	801191	Control Panel Overlay	Models HFNBYSRSP112CW01 and HWRY71*N1102
26	803597	Overlay	French/English; Models HFNBYSRSP112CW01 and HWRY71*N1102
27	210109W	End Cap	Left
28	52864	Screw	

* Add Letter To Designate Color. Q - Bisque W - White

Door Assembly



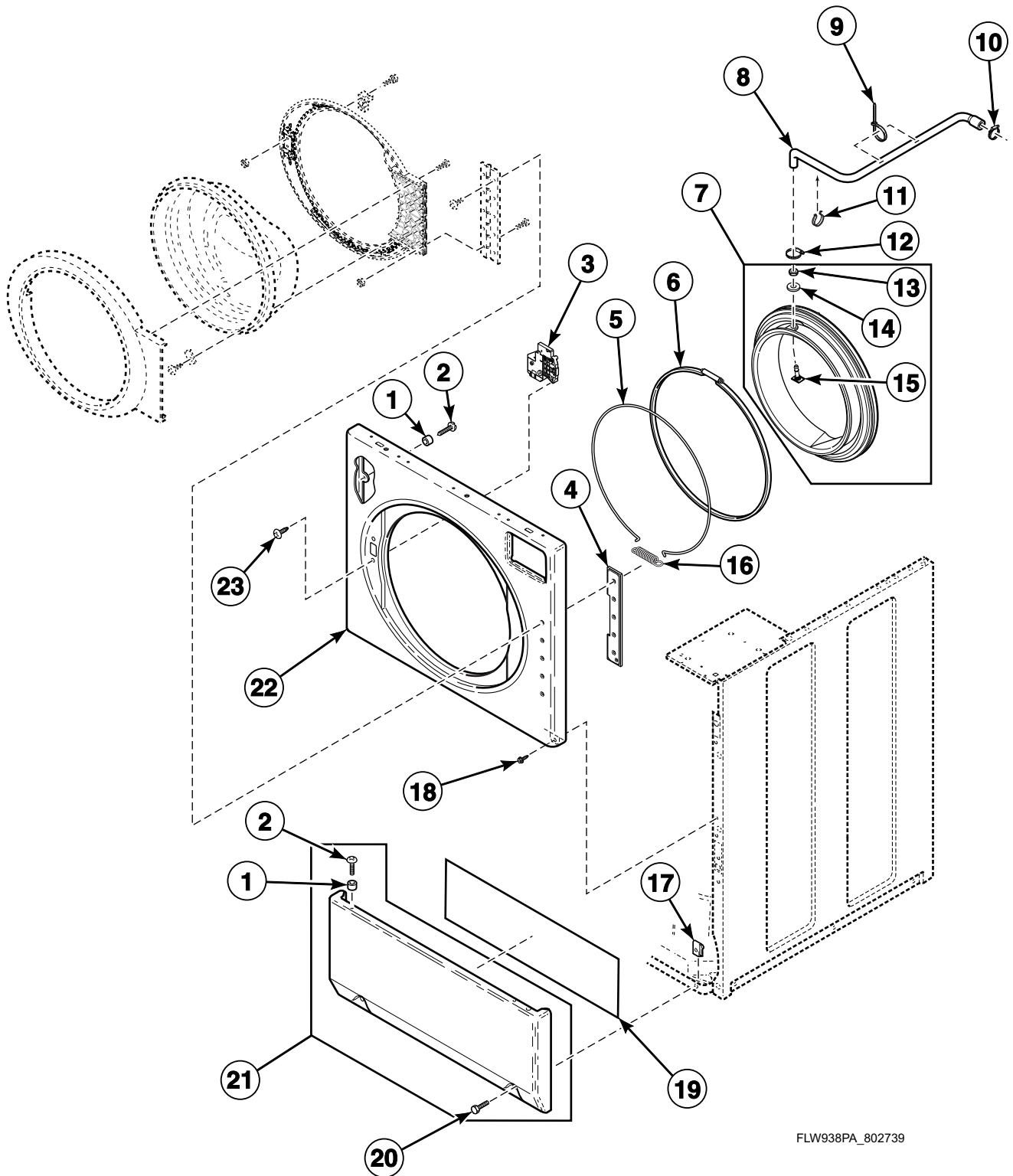
FLW938P_802739

Door Assembly

REF	PART NO.	DESCRIPTION	COMMENTS
1	802314P	Outer Door Bezel Kit	Gray; Models BFNBCFSG111TN01, BFNBCFSG111TW01, BFNBCFSG112TN01, BFNBCFSG112TW01, FBNBEFSP111CN01, FBNBEFSP111CW01, FBNBEFSP111TN01, FBNBEFSP111TW01, FBNBEFSP112CN01, FBNBEFSP112CW01, FBNBLFSP301AW01, FBNBLFSP302AW01, FBNBLFSP541NW01, FBNBLFSP542NW01, FBNBXFSP112FW01, FBNBXFSP302AW01, FBNBYFSP112TW01, BWFL74*N4000, BWFL75*N4000, BWFX71*N1127, BWFX71*N3050, BWFX74*N4000, BWFX75*N4000, HFNBCFSG111TN01, HFNBCFSP111TN01, SWFL74*N4000 and SWFX74*N4000
	802313WP	Outer Door Bezel Kit	White; All other models
	802313QP	Outer Door Bezel Kit	Bisque; All other models
2	802695P	Door Glass	
3	685846	Nut	
4	802331P	Inner Door Bezel Kit	Gray; Models FBNBYFSP112TW01 and HFNBCFSP111TN01
	802307P	Inner Door Bezel Kit	White; All other models
5	802803	Door Catch Assembly	
6	801993	Screw	
7	800548	Screw	
8	801019	Screw	
9	802934	Door Hinge	
10	23951	Nut	
11	802700	Glass Mounting Clip	
12	802872P	Door Assembly	Gray; Includes items 1-11; Models BFNBCFSG111TN01, BFNBCFSG111TW01, BFNBCFSG112TN01, BFNBCFSG112TW01, FBNBEFSP111CN01, FBNBEFSP111CW01, FBNBEFSP111TN01, FBNBEFSP111TW01, FBNBEFSP112CN01, FBNBEFSP112CW01, FBNBLFSP301AW01, FBNBLFSP302AW01, FBNBLFSP541NW01, FBNBLFSP542NW01, FBNBXFSP112FW01, FBNBXFSP302AW01, FBNBYFSP112TW01, BWFL74*N4000, BWFL75*N4000, BWFX71*N1127, BWFX71*N3050, BWFX74*N4000, BWFX75*N4000, HFNBCFSG111TN01, HFNBCFSP111TN01, SWFL74*N4000 and SWFX74*N4000
	802368WP	Door Assembly	White; Includes items 1-11; All other models
	802368QP	Door Assembly	Bisque; Includes items 1-11; All other models

* Add Letter To Designate Color. N - Stainless Steel Q - Bisque W - White

Front Panel and Door Seal



FLW938PA_802739

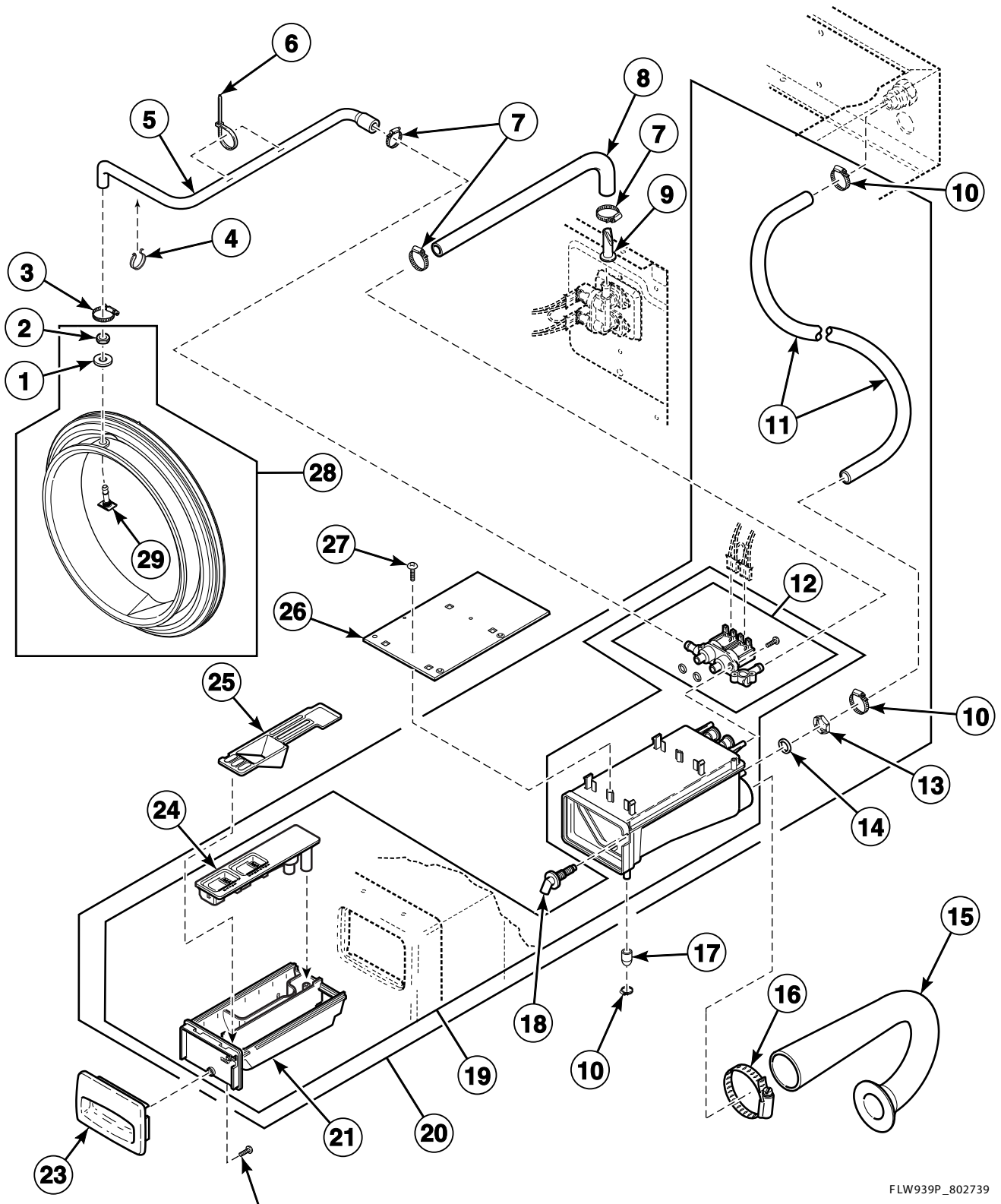
Front Panel and Door Seal

REF	PART NO.	DESCRIPTION	COMMENTS
1	56079	Panel Locator	
2	39733	Screw	Use with painted panels
	512921	Screw	Use with stainless steel panels
3	802317P	Door Latch/Switch Assembly	
4	802206	Hinge Plate	
5	802283	Wire Clamp Ring	
6	802281	Hose Clamp	
7	802866P	Door Seal Assembly	Black; Includes items 13-15
	802830P	Door Seal Kit	Gray; Includes items 13-15
8	802256	Dispenser-to-Door Seal Hose	
9	55881	Harness Strap	
10	802164	Hose Clamp	
11	687500	Wire Clip	
12	802698	Hose Clamp	
13	802292	Nut	
14	802293	Washer	
15	802291	Boot Nozzle	
16	802285	Extension Spring	
17	36020	Nut	
18	503661	Screw	
19	685368	Access Panel Damper	1 inch by 26 inches
20	801045	Screw	
21	514250W	Access Panel Assembly	White
	514250Q	Access Panel Assembly	Bisque
	514251	Access Panel Assembly	Stainless steel
22	802277WP	Front Panel	White
	802277QP	Front Panel	Bisque
	802288P	Front Panel	Stainless steel
23	800548	Screw	

* Add Letter To Designate Color. N - Stainless Steel Q - Bisque W - White

Dispenser Assembly and Supply Injection Hoses

Model SWFB72*N



FLW939P_802739

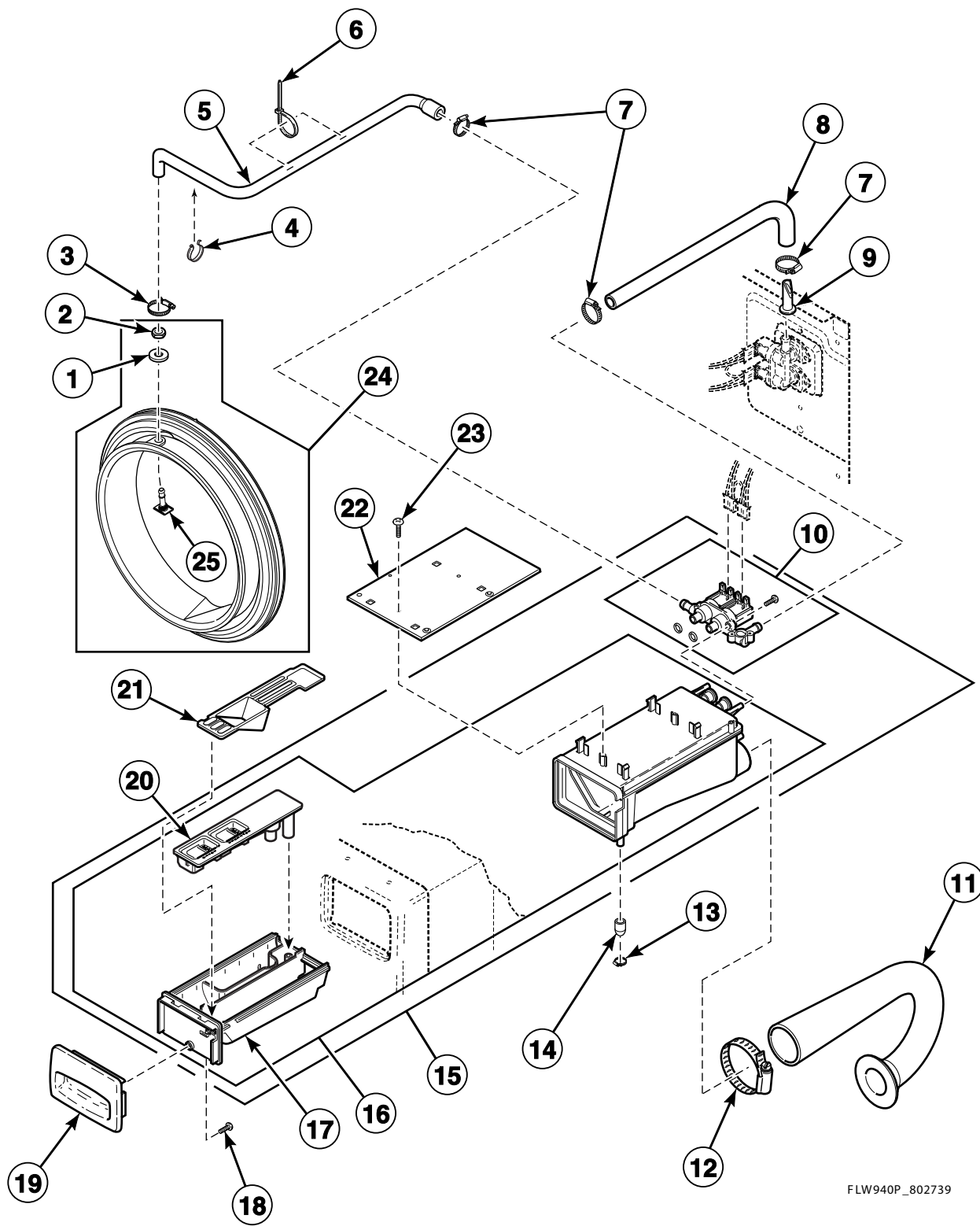
Dispenser Assembly and Supply Injection Hoses

REF	PART NO.	DESCRIPTION	COMMENTS
1	802293	Washer	
2	802292	Nut	
3	802698	Hose Clamp	
4	687500	Wire Clip	
5	802256	Dispenser-to-Door Seal Hose	
6	55881	Harness Strap	
7	802164	Hose Clamp	
8	801464	Valve-to-Dispenser Inlet Hose	
9	34500	Backflow Preventer	
10	F200206	Hose Clamp	
11	801635	Tubing	
12	685766P	Valve Kit	
13	802292	Nut	
14	F170208	O-Ring	
15	800331	Dispenser-to-Tub Hose	
16	685725	Hose Clamp	
17	801746	Cap	
18	F8322001	Injection Nozzle	
19	801630P	Dispenser Assembly	Includes items 12 and 24
20	801662P	Dispenser Assembly	Includes items 10-14, 18, 19, 24 and 801789 Connector
21	685757P	Dispenser Drawer	
22	800548	Screw	
23	685715WP	Dispenser Drawer Front	White
	685715QP	Dispenser Drawer Front	Bisque
24	685716	Insert	
25	800899	Detergent Cover	
26	801024	Dispenser Plate	
27	801001	Screw	
28	802866P	Door Seal Assembly	Black; Includes items 1, 2 and 29
	802830P	Door Seal Kit	Gray; Includes items 1, 2 and 29
29	802291	Boot Nozzle	

* Add Letter To Designate Color. Q - Bisque W - White

Dispenser Assembly

All Models Except SWFB72*N



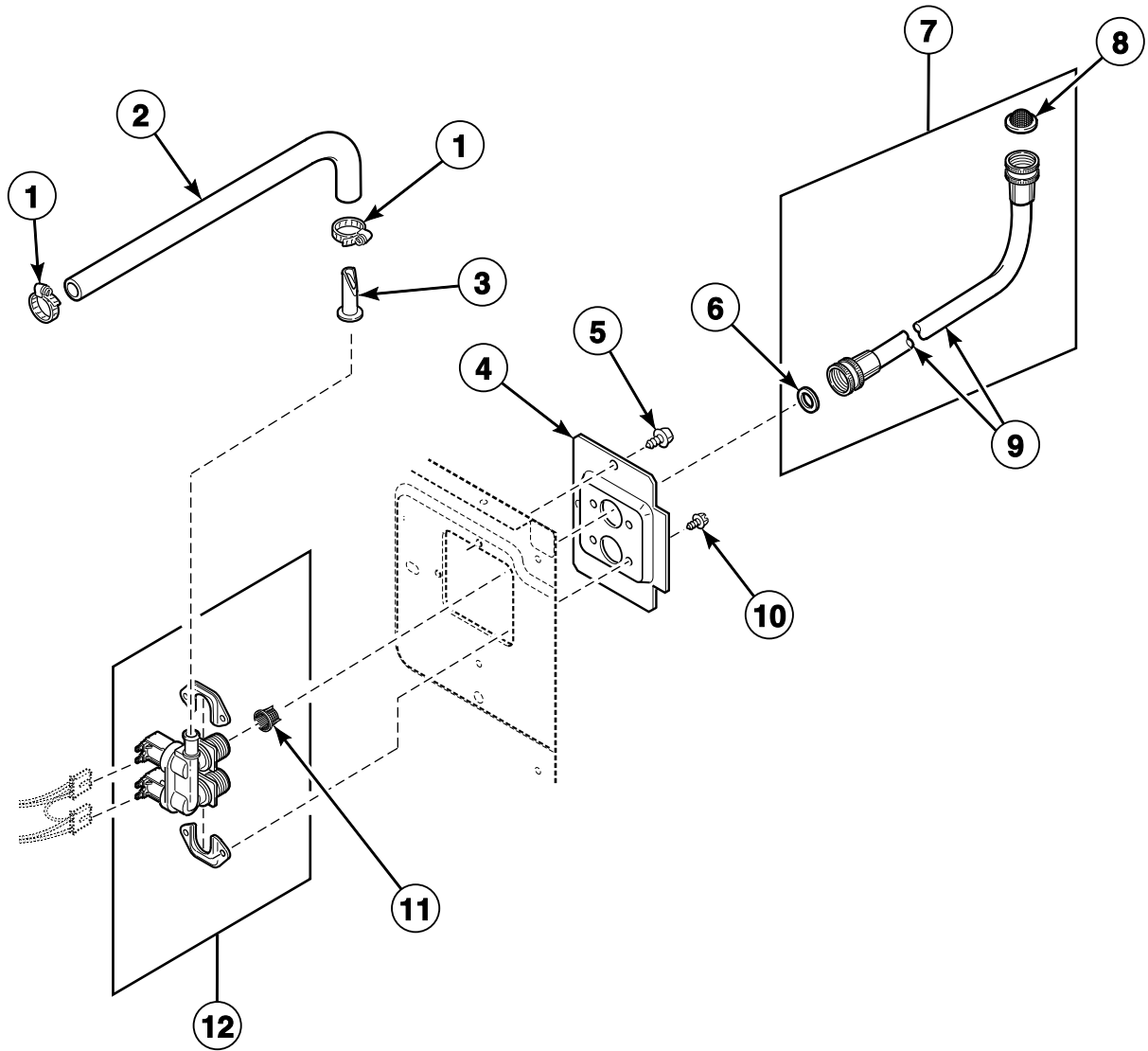
FLW940P_802739

Dispenser Assembly

REF	PART NO.	DESCRIPTION	COMMENTS
1	802293	Washer	
2	802292	Nut	
3	802698	Hose Clamp	
4	687500	Wire Clip	
5	802256	Dispenser-to-Door Seal Hose	
6	39037	Cable Tie	
7	802164	Hose Clamp	
8	801464	Valve-to-Dispenser Inlet Hose	
9	34500	Backflow Preventer	
10	801836P	Valve Kit	Models BFNBLFSP301AW01, BFNBLFSP302AW01, BFNBLFSP541NW01, BFNBLFSP542NW01, BFNBLFSP302AW01, BWFL74*N4000, BWFL75*N4000, BWFX71*N3050, BWFX74*N4000, BWFX75*N4000, HFNBXFSP302NW22, HFNBXFSP542DW01, HWFY74*N4000, HWFY75*N4000, NWFL84*N4000, NWFL85*N4000, NWFX74*N4000, NWFX75*N4000, SFNBXFSP301NW22, SFNBXFSP302AW01, SFNBXFSP302NQ01, SFNBXFSP302NW01, SFNBXFSP302NW22, SFNBXFSP542DW01, SFNSXRSP541NQ23, SFNSXRSP541NW23, SWFA71*N3050, SWFA71*N3069, SWFF71*N3050, SWFL74*N4000, SWFX71*N3000, SWFX71*N3050, SWFX71*N3051, SWFX71*N5400, SWFX74*N4000 and SWFX75*N4000
	685766P	Valve Kit	All other models
11	800331	Dispenser-to-Tub Hose	
12	685725	Hose Clamp	
13	F200206	Hose Clamp	
14	801746	Cap	
15	801090P	Dispenser	Includes items 10, 16 and 20; Models BFNBLFSP301AW01, BFNBLFSP302AW01, BFNBLFSP541NW01, BFNBLFSP542NW01, BFNBLFSP302AW01, BWFL74*N4000, BWFL75*N4000, BWFX71*N3050, BWFX74*N4000, BWFX75*N4000, HFNBXFSP302NW22, HFNBXFSP542DW01, HWFY74*N4000, HWFY75*N4000, NWFL84*N4000, NWFL85*N4000, NWFX74*N4000, NWFX75*N4000, SFNBXFSP301NW22, SFNBXFSP302AW01, SFNBXFSP302NQ01, SFNBXFSP302NW01, SFNBXFSP302NW22, SFNBXFSP542DW01, SFNSXRSP541NQ23, SFNSXRSP541NW23, SWFA71*N3050, SWFA71*N3069, SWFF71*N3050, SWFL74*N4000, SWFX71*N3000, SWFX71*N3050, SWFX71*N3051, SWFX71*N5400, SWFX74*N4000 and SWFX75*N4000
	685756P	Dispenser	Includes items 10, 16 and 20; All other models
16	801476P	Dispenser Assembly	Includes items 17 and 20
17	685757P	Dispenser Drawer	
18	800548	Screw	
19	685715WP	Dispenser Drawer Front	White
	685715QP	Dispenser Drawer Front	Bisque
	802879P	Dispenser Handle	Gray
20	685716	Insert	
21	800899	Detergent Cover	
22	801024	Dispenser Plate	
23	801001	Screw	
24	802866P	Door Seal Assembly	Black; Includes items 1, 2 and 25
	802830P	Door Seal Kit	Gray; Includes items 1, 2 and 25
25	802291	Boot Nozzle	

* Add Letter To Designate Color. N - Stainless Steel Q - Bisque W - White

Mixing Valve, Inlet Hose and Dispenser Hose



FLW881P_802739

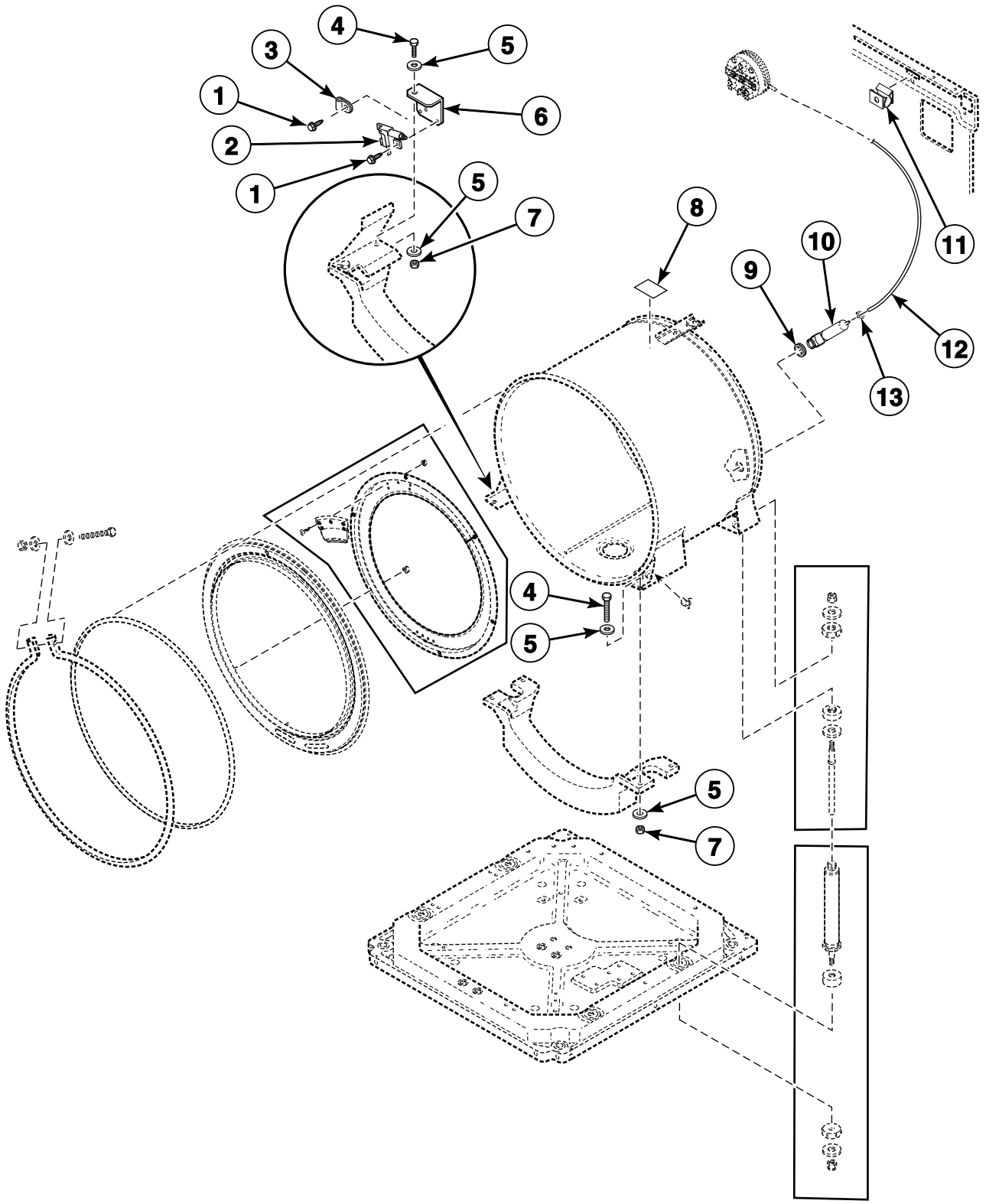
Mixing Valve, Inlet Hose and Dispenser Hose

REF	PART NO.	DESCRIPTION	COMMENTS
1	802164	Hose Clamp	
2	801464	Valve-to-Dispenser Inlet Hose	
3	34500	Backflow Preventer	
4	800323	Mixing Valve Plate	
5	503661	Screw	
6	20290	Washer	
7	F200116	Water Hose	5 feet; Hose is equipped with 2 standard hose couplings; Includes items 6 and 8; All models except HFNBXFSP122DW01, HFNBXFSP542DW01, SFNBXFSP122DW01 and SFNBXFSP542DW01
	38349P	Fill Hose Kit	5 feet; Hose is equipped with 1 metric and 1 standard hose coupling; Includes 2 of item 6; All models except HFNBXFSP122DW01, HFNBXFSP542DW01, SFNBXFSP122DW01 and SFNBXFSP542DW01
8	803615	Washer	Filter screen
	802254	Washer	Flow restrictor; Water pressure reducer; Available for water pressure up to but not exceeding 120 psi
9	202799	Fill Hose	Models HFNBXFSP122DW01, HFNBXFSP542DW01, SFNBXFSP122DW01 and SFNBXFSP542DW01
	202931	Fill Hose	Models BFNBLFSP302AW01, BFNBFSP302AW01, SFNBXFSP302AW01 and SWFX71*N3051
	20617	Fill Hose	8 feet; Optional; Hose is equipped with 2 standard hose couplings; All other models
	20618	Fill Hose	10 feet; Optional; Hose is equipped with 2 standard hose couplings; All other models
	37380	Fill Hose	8 feet; Hose is equipped with 1 metric and 1 standard hose coupling; All other models
	37381	Fill Hose	10 feet; Hose is equipped with 1 metric and 1 standard hose coupling; All other models
10	501086	Screw	
11	802926	Mixing Valve Screen	
12	802222P	Mixing Valve	Models BFNBLFSP301AW01, BFNBLFSP302AW01, BFNBLFSP541NW01, BFNBLFSP542NW01, BFNBFSP302AW01, BWFL74*N4000, BWFL75*N4000, BWF71*N3050, BWF74*N4000, BWF75*N4000, HFNBXFSP302NW22, HFNBXFSP542DW01, HWFY74*N4000, HWFY75*N4000, NWFL84*N4000, NWFL85*N4000, NWF74*N4000, NWF75*N4000, SFNBXFSP301NW22, SFNBXFSP302AW01, SFNBXFSP302NQ01, SFNBXFSP302NW01, SFNBXFSP302NW22, SFNBXFSP542DW01, SFNSXRS541NQ23, SFNSXRS541NW23, SWFA71*N3050, SWFA71*N3069, SWFF71*N3050, SWFL74*N4000, SWFX71*N3000, SWFX71*N3050, SWFX71*N3051, SWFX71*N5400, SWFX74*N4000 and SWFX75*N4000
	802220P	Mixing Valve	All other models

* Add Letter To Designate Color. N - Stainless Steel Q - Bisque W - White

Outer Tub, Clamp Ring and Shock Absorbers (Drawing 1 of 2)

All Models Except BWFL74*N4000, BWFL75*N4000, BWFX74*N4000, BWFX75*N4000, HWFY74*N4000, HWFY75*N4000, NWFL84*N4000, NWFL85*N4000, NWF74*N4000, NWF75*N4000, SWFL74*N4000, SWFX74*N4000 and SWFX75*N4000



FLW1013PA_802739

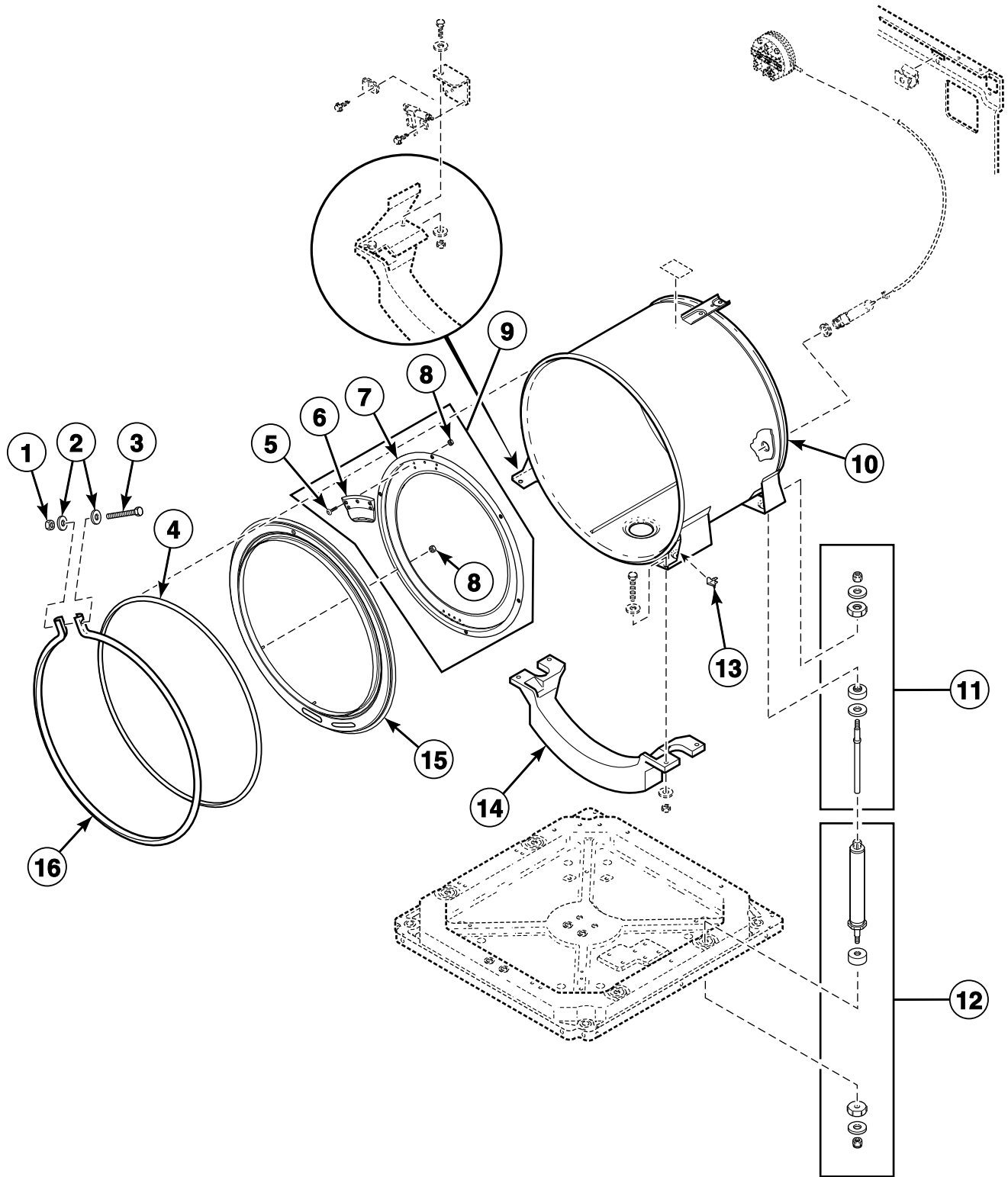
Outer Tub, Clamp Ring and Shock Absorbers (Drawing 1 of 2)

REF	PART NO.	DESCRIPTION	COMMENTS
1	503661	Screw	
2	801006	Out-of-Balance Switch Assembly	Models through Serial No. 1201004551
	803415	Out-of-Balance Switch Assembly	Models starting Serial No. 1201004552
3	800811	Wire Clamp	
4	800461	Screw	
5	M400081	Washer	
6	800663	Switch Mounting Bracket	Models through Serial No. 1201004551
	803388	Switch Mounting Bracket	Models starting Serial No. 1201004552
7	800452	Nut	
8	500314	Warning Label	Models BFNBEFSP111CN01, BFNBEFSP111CW01, BFNBEFSP112CN01, BFNBEFSP112CW01, HFNBDFSG112CW01, HFNBDRSP112CW01, HFNBDFSP112CW01, HFNBERSP112CW01, HFNBXFSP112CW01, HFNBYSFG112CW01, HFNBYSFSP112CW01, HFNBYSRSP112CW01, HFNCXFSP111CW01, HFNCXRSP111CW01, HFNSXRSP112CW01, HWFB71*N1102, HWFR71*N1102, HWFT71*N1102, HWFT73*N1102, HWFX71*N1102, HWFY71*N1102, HWFY73*N1102, HWR971*N1102, HWR973*N1102, HWRR71*N1102, HWRT71*N1102, HWRX71*N1102 and HWRY71*N1102
	F8211201	Electrical Shock Label	Models HFNBXFSP122DW01, HFNBXFSP302NW22, HFNBXFSP542DW01, SFNBXFSP122DW01, SFNBXFSP301NW22, SFNBXFSP302NQ01, SFNBXFSP302NW01, SFNBXFSP302NW22, SFNBXFSP542DW01, SWFA71*N3069, SWFX71*N3000 and SWFX71*N5400
	F8211301	Pinched Fingers Label	Models HFNBXFSP122DW01, HFNBXFSP302NW22, HFNBXFSP542DW01, SFNBXFSP122DW01, SFNBXFSP301NW22, SFNBXFSP302NQ01, SFNBXFSP302NW01, SFNBXFSP302NW22, SFNBXFSP542DW01, SWFA71*N3069, SWFX71*N3000 and SWFX71*N5400
	500049	Warning Label	All other models
9	29175	Grommet	
10	30907	Pressure Bulb	
11	36985	Hose Clip	Positioned here on rear control models
12	33324	Tubing	Models HFNSXRSP112CW01, HWR971*N1102, HWR971*N1127, HWR973*N1102, SFNSXRSP111TW02, SFNSXRSP112TQ01, SFNSXRSP112TW01, SFNSXRSP112TW02, SFNSXRSP541NQ23, SFNSXRSP541NW23, SFNTRSP111TW01, SFNTRSP111TW02, SWR971*N and SWR973*N
	685751	Tubing	Models HFNBDRSP112TW01, HFNBDRSP112CW01, HFNBERSP112CW01, HFNBXRSP112FW28, HFNBYSRSP112CW01, HFNCXRSP111CW01, HWRR71*N1102, HWRT71*N, HWRT71*N1102, HWRX71*N1102, SFNBDRSP111TW02, SFNBDRSP112TW01, SFNBDRSP112TW02, SFNBXRSP112TW01, SFNBXRSP112TW02, SFNBYSRSP112TW01, SFNCCRSP111TW01, SFNCCRSP111TW02, SWRB71*N, SWRT71*N, SWRT73*N and SWRX71*N
	800648P	Tubing	All other models
13	39282	Hose Clamp	

* Add Letter To Designate Color. Q - Bisque W - White

Outer Tub, Clamp Ring and Shock Absorbers (Drawing 2 of 2)

All Models Except BWFL74*N4000, BWFL75*N4000, BWFX74*N4000, BWFX75*N4000, HWFY74*N4000, HWFY75*N4000, NWFL84*N4000, NWFL85*N4000, NWF74*N4000, NWF75*N4000, SWFL74*N4000, SWFX74*N4000 and SWFX75*N4000



FLW1013PB_802739

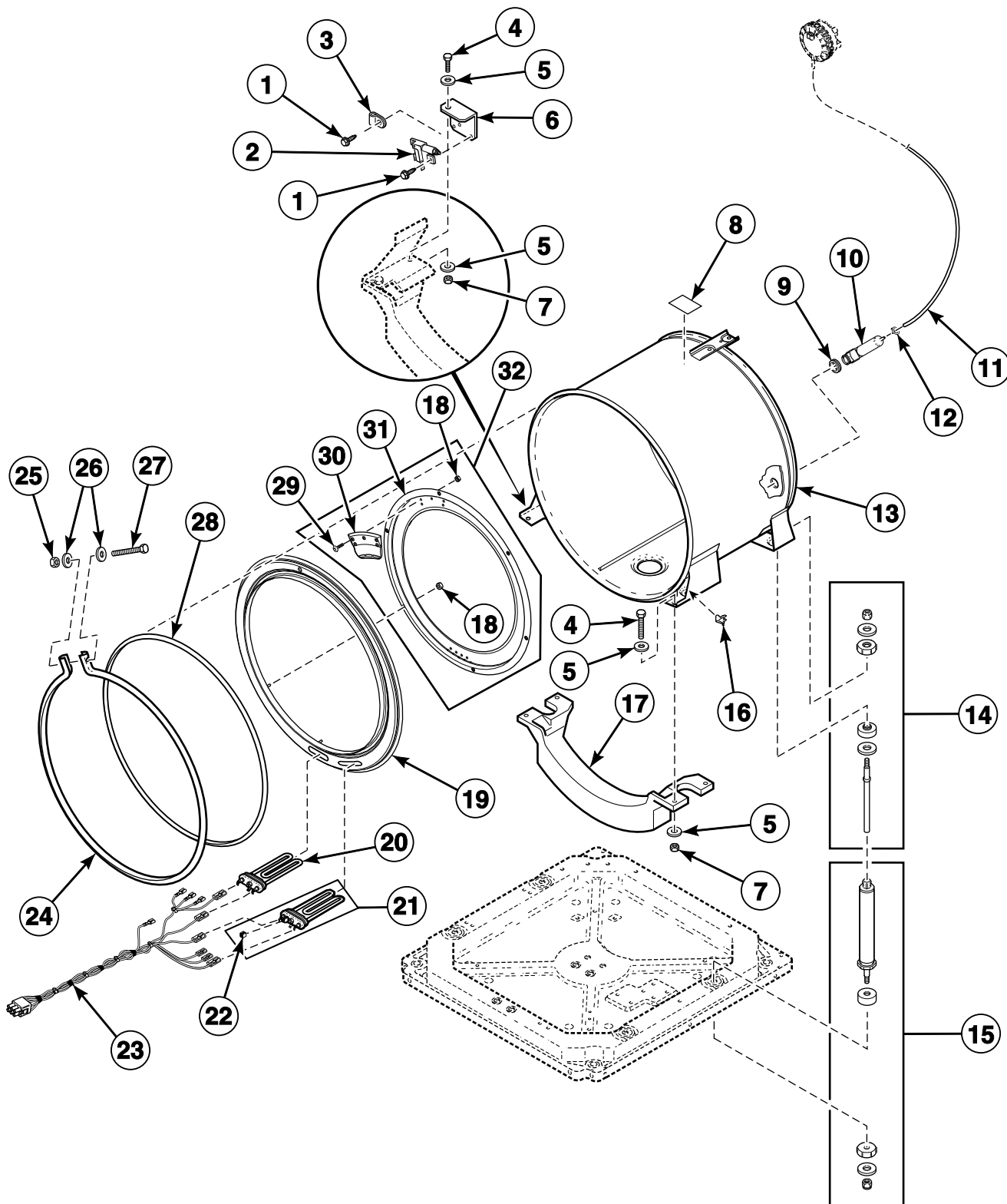
Outer Tub, Clamp Ring and Shock Absorbers (Drawing 2 of 2)

REF	PART NO.	DESCRIPTION	COMMENTS
1	F430218	Nut	
2	800457	Washer	
3	800462	Screw	
4	800432P	Tub Front Seal	
5	802596	Screw	
6	804174P	Clothes Guard Deflector	
	804482	Clothes Guard Deflector	Heavy duty
7	803537	Clothes Guard	
8	802343	Nut	
9	804560P	Clothes Guard and Deflector Kit	Includes items 5-8 and item 7 from <i>Outer Tub, Clamp Ring and Shock Absorbers (Drawing 1 of 2)</i>
10	801081P	Outer Tub Assembly	
11	800622P	Tub Shock Absorber Kit	Upper
12	802881P	Base Shock Absorber Kit	Lower; Must replace all 4
13	00161	Grounding Clip	
14	800205	Ballast Weight	
15	802258	Tub Front Assembly	
16	800312	Clamp Ring	

* Add Letter To Designate Color. Q - Bisque W - White

Outer Tub, Clamp Ring, Shock Absorbers and Heating Element

Models BWFL74*N4000, BWFL75*N4000, BWF74*N4000, BWF75*N4000,
 HWFY74*N4000, HWFY75*N4000, NWFL84*N4000, NWFL85*N4000, NWF74*N4000,
 NWF75*N4000, SWFL74*N4000, SWFL74*N4000 and SWFL75*N4000



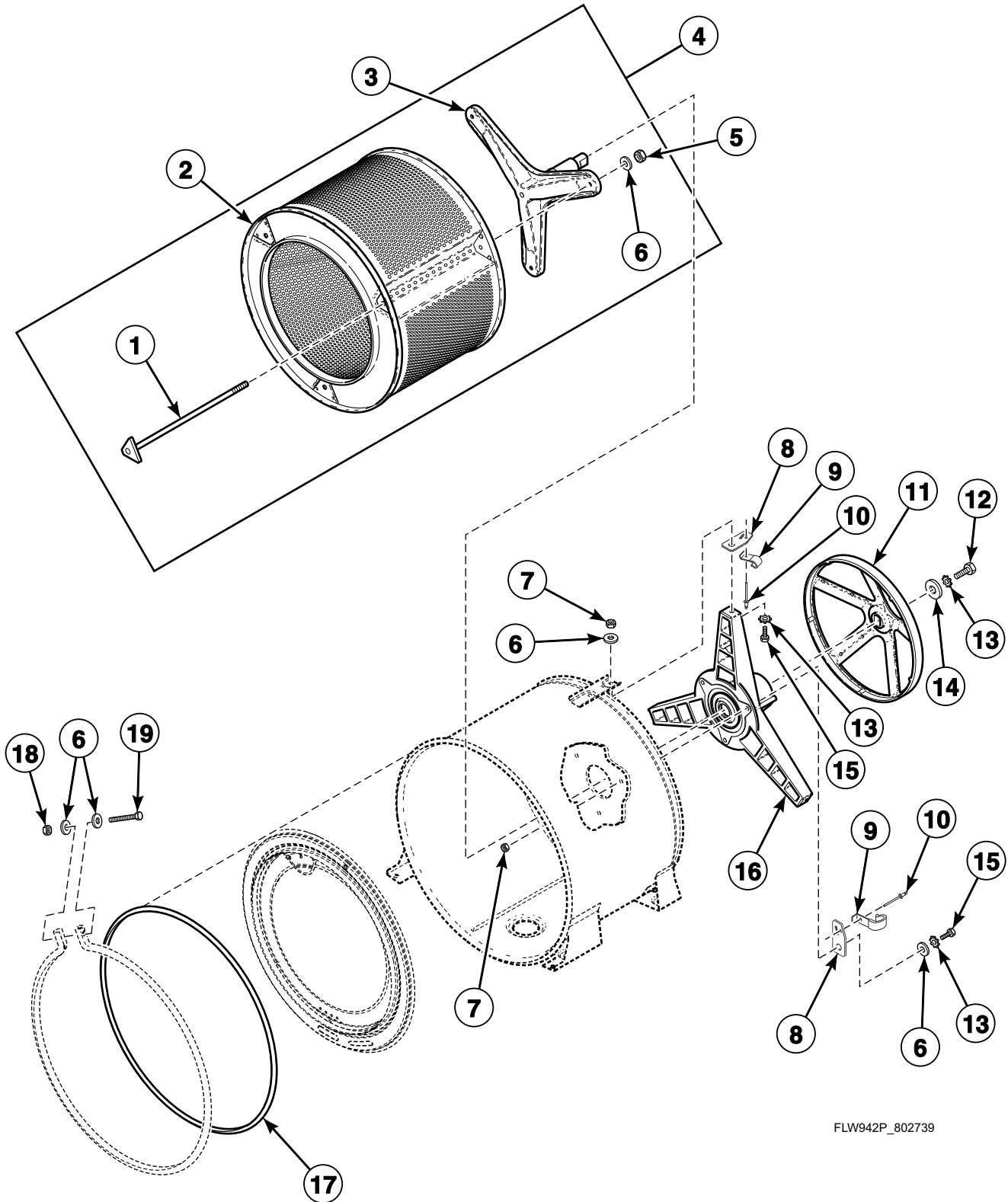
FLW1012P_802739

Outer Tub, Clamp Ring, Shock Absorbers and Heating Element

REF	PART NO.	DESCRIPTION	COMMENTS
1	503661	Screw	
2	801006	Out-of-Balance Switch Assembly	Models through Serial No. 1201004551
	803415	Out-of-Balance Switch Assembly	Models starting Serial No. 1201004552
3	800811	Wire Clamp	
4	800461	Screw	
5	M400081	Washer	
6	800663	Switch Mounting Bracket	Models through Serial No. 1201004551
	803388	Switch Mounting Bracket	Models starting Serial No. 1201004552
7	800452	Nut	
8	502511	Electrical Shock Label	
	502506	Pinched Fingers Label	
9	29175	Grommet	
10	30907	Pressure Bulb	
11	800648P	Tubing	
12	39282	Hose Clamp	
13	801291	Outer Tub Assembly	
14	800622P	Tub Shock Absorber Kit	Upper
15	802881P	Base Shock Absorber Kit	Lower; Must replace all 4
16	00161	Grounding Clip	
17	800205	Ballast Weight	
18	802343	Nut	
19	802260	Tub Front Assembly	Models through Serial No. 1001000989
	803494	Tub Front Assembly	Models starting Serial No. 1001000990
20	803558P	Heating Element Kit	
21	803557P	Heating Element Kit	Includes item 22
22	803256	Thermistor	
23	802323P	Heater Harness	Models through Serial No. 1001000989
	803492	Heater Harness	Models starting Serial No. 1001000990
24	800312	Clamp Ring	
25	F430218	Nut	
26	800457	Washer	
27	800462	Screw	
28	800432P	Tub Front Seal	
29	802596	Screw	
30	804174P	Clothes Guard Deflector	
	804482	Clothes Guard Deflector	Heavy duty
31	803537	Clothes Guard	
32	804560P	Clothes Guard and Deflector Kit	Includes items 7, 18 and 26-31

* Add Letter To Designate Color. N - Stainless Steel Q - Bisque W - White

Inner Basket, Trunnion, Bearing Housing and Pulley

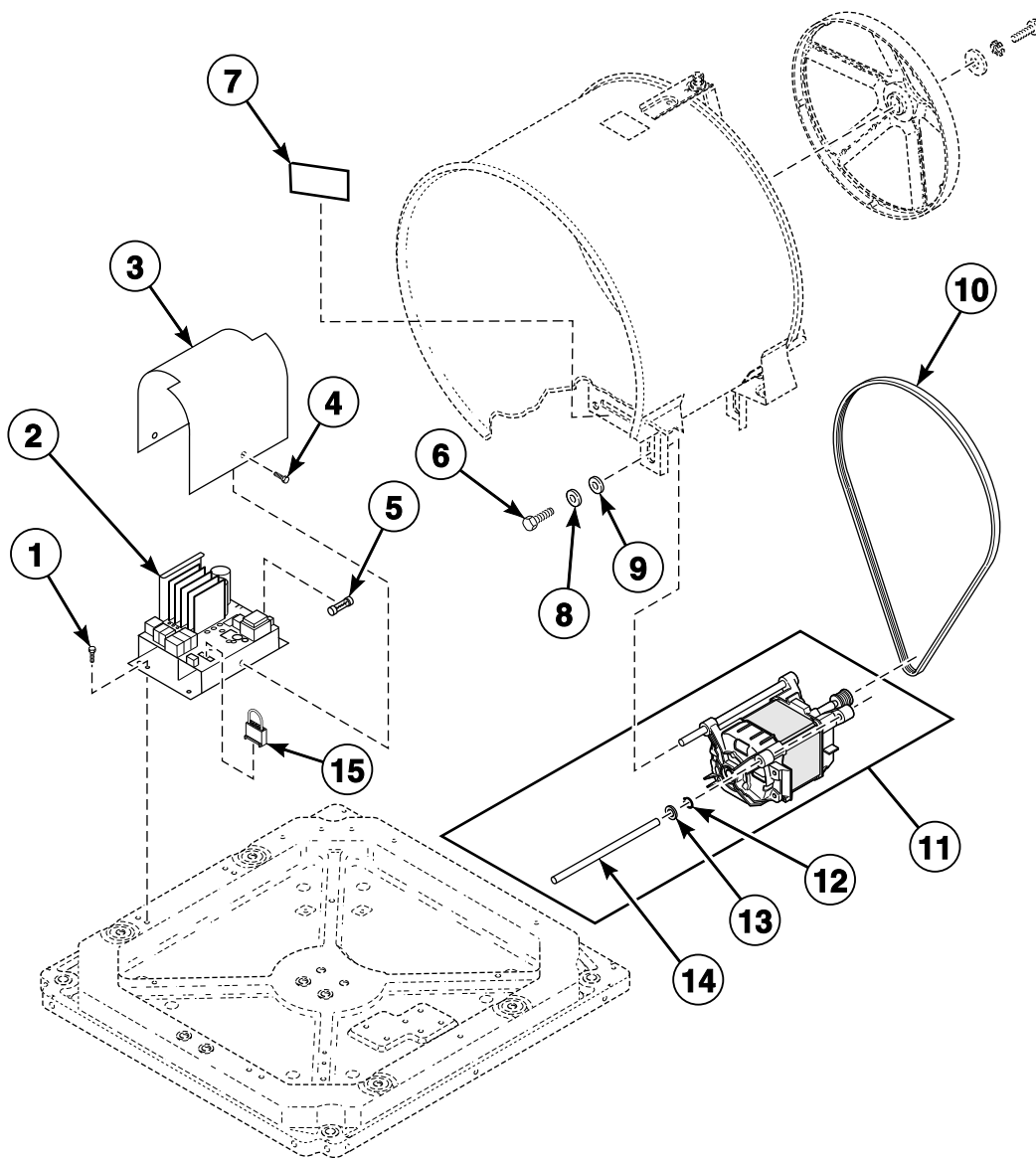


FLW942P_802739

Inner Basket, Trunnion, Bearing Housing and Pulley

REF	PART NO.	DESCRIPTION	COMMENTS
	27604P	Anti-Seize Compound	Pulley to inner basket shaft
	838P3	Hardware Kit	Includes (8) of item 6, (7) of item 13, (6) each of items 7 and 15, (1) each of items 12, 14, 17, 18, 19 and 27604P Anti-Seize Compound
	RB160001	Bearing Kit	
1	800666	Tension Rod Assembly	
2	803008P	Inner Basket Assembly	
3	800749P	Trunnion Shaft and Hardware Kit	Includes (3) each of items 1, 5, 6 and 838P3 Hardware Kit; If ordering trunnion shaft separately, inner basket and trunnion shaft must be properly aligned to prevent door seal damage. Refer to instructions included in kit
4	804322	Inner Basket Assembly	Model SWFX71*N3051
	802365P	Inner Basket Assembly	All other models
5	803017	Nut	
6	800457	Washer	
7	800452	Nut	
8	800552	Hose Mounting Plate	
9	800553	Hose Clip	
10	685847	Pop Rivet	
11	800866	Driven Pulley	
12	685831	Screw	Left hand thread
13	M403958	Washer	
14	800464	Washer	
15	M400043	Screw	
16	800428P	Bearing Housing Kit	Includes 838P3 Hardware Kit
17	800432P	Tub Front Seal	
18	F430218	Nut	
19	800462	Screw	

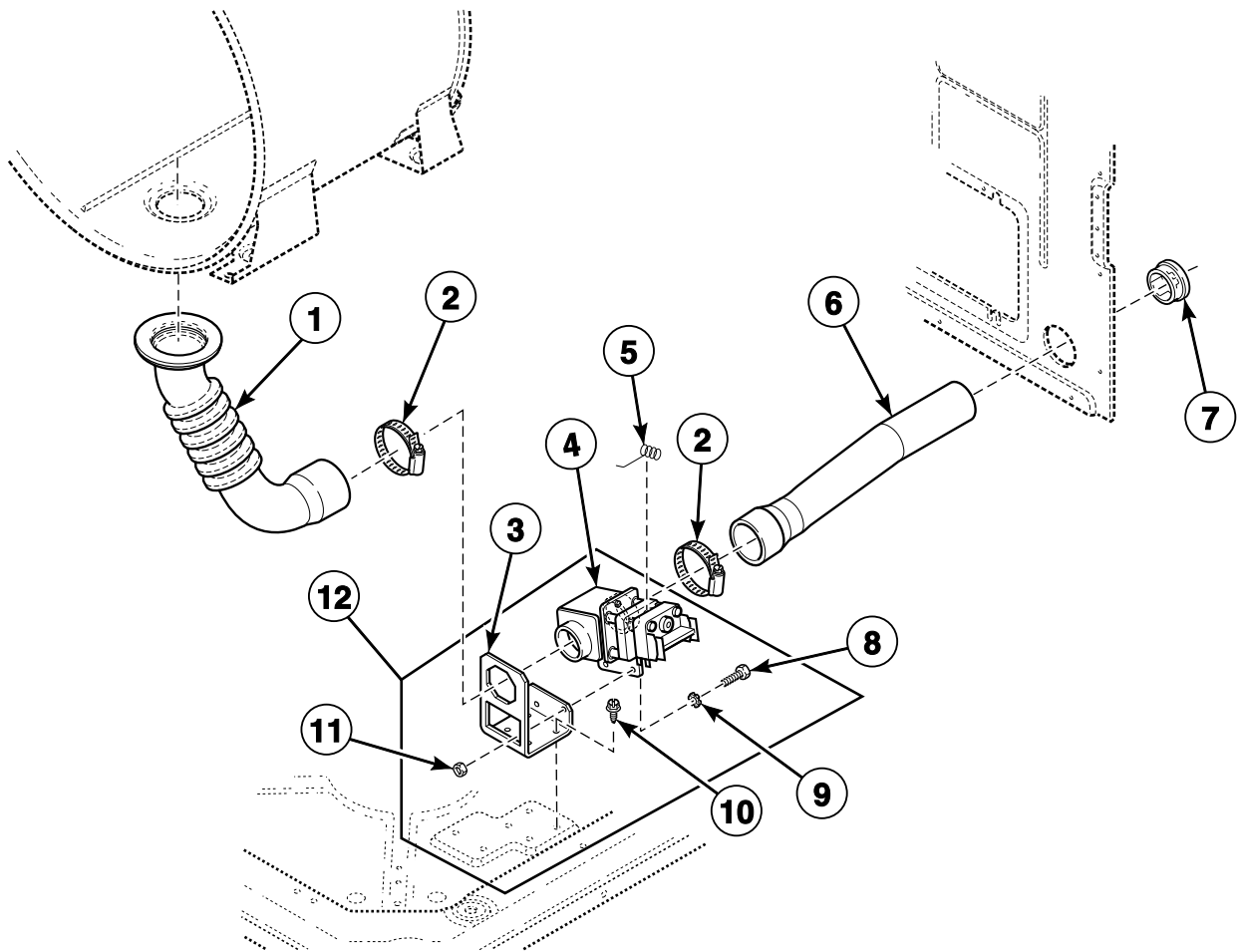
Motor and Belt



FLW1703P_802739

Drain Hoses and Valve

Models BFNBCFSG111TN01, BFNBCFSG111TW01, BFNBCFSG112TN01, BFNBCFSG112TW01, BWFL75*N4000, BWF75*N4000, HFNBCFSG111TN01, HFNBCFSG112TN01, HFNBCFSG112TQ01, HFNBCFSG112TW01, HFNBDFSG112CW01, HFNBDFSG112CW01, HWFT73*N, HWFT73*N1102, HWFY73*N1102, HWFY75*N4000, HWR973*N1102, NWFL85*N4000, NWFX75*N4000, SFNBCFSG112TQ01, SFNBCFSG112TW01, SFNBXFG082JW01, SFNBXFG112TQ01, SFNBXFG112TW01, SFNBDFSG112TW01, SWFA73*N, SWFB73*N, SWFF73*N, SWFT73*N, SWFX73*N, SWFX75*N4000, SWFY73*N, SWR973*N and SWRT73*N



FLW1702P_802739

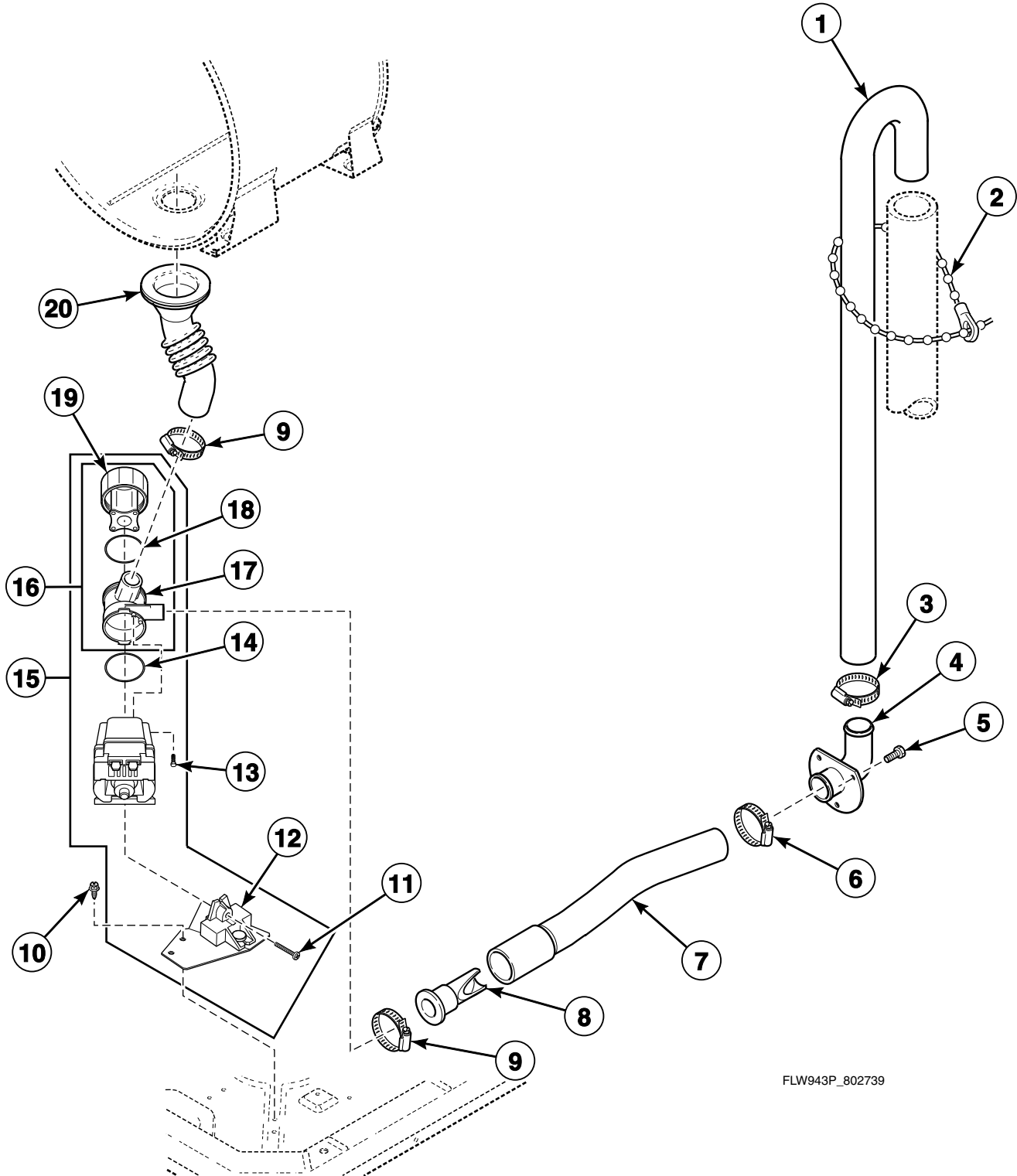
Drain Hoses and Valve

REF	PART NO.	DESCRIPTION	COMMENTS
1	800902	Tub-to-Drain Hose	
	27615P	Sealant	Tub-to-drain hose to outer tub
2	685725	Hose Clamp	
3	803291	Gravity Drain Bracket	
4	803292	Gravity Drain Valve	Models BWFL75*N4000, BWFX75*N4000, HWFY75*N4000, NWFL85*N4000, NWFX75*N4000 and SWFX75*N4000; Order item 12 for models through Serial No. 0904020485
	803293	Drain Valve	All other models; Order item 12 for models through Serial No. 0904020485
5	F8504601	Spring	
6	800903	Drain-to-Cabinet Hose	
7	503235	Snap Bushing	
8	02916	Screw	
9	M400017	Washer	
10	503661	Screw	
11	29786	Nut	
12	F976P3	Drain Valve Kit	Includes items 3, 4 and 8-11; Models BWFL75*N4000, BWFX75*N4000, HWFY75*N4000, NWFL85*N4000, NWFX75*N4000 and SWFX75*N4000
	F975P3	Drain Valve Kit	Includes items 3, 4 and 8-11; All other models

* Add Letter To Designate Color. Q - Bisque W - White

Hoses and Pump

All Models Except BFNBCFSG111TN01, BFNBCFSG111TW01, BFNBCFSG112TN01, BFNBCFSG112TW01, BWFL75*N4000, BWFX75*N4000, HFNBCFSG111TN01, HFNBCFSG112TN01, HFNBCFSG112TQ01, HFNBCFSG112TW01, HFNBDFSG112CW01, HFNBDFSG112CW01, HWFT73*N, HWFT73*N1102, HWFY73*N1102, HWFY75*N4000, HWR973*N1102, NWFL85*N4000, NWFX75*N4000, SFNBCFSG112TQ01, SFNBCFSG112TW01, SFNBXFG082JW01, SFNBXFG112TQ01, SFNBXFG112TW01, SFNBDFSG112TW01, SWFA73*N, SWFB73*N, SWFF73*N, SWFT73*N, SWFX73*N, SWFX75*N4000, SWFY73*N, SWR973*N and SWRT73*N



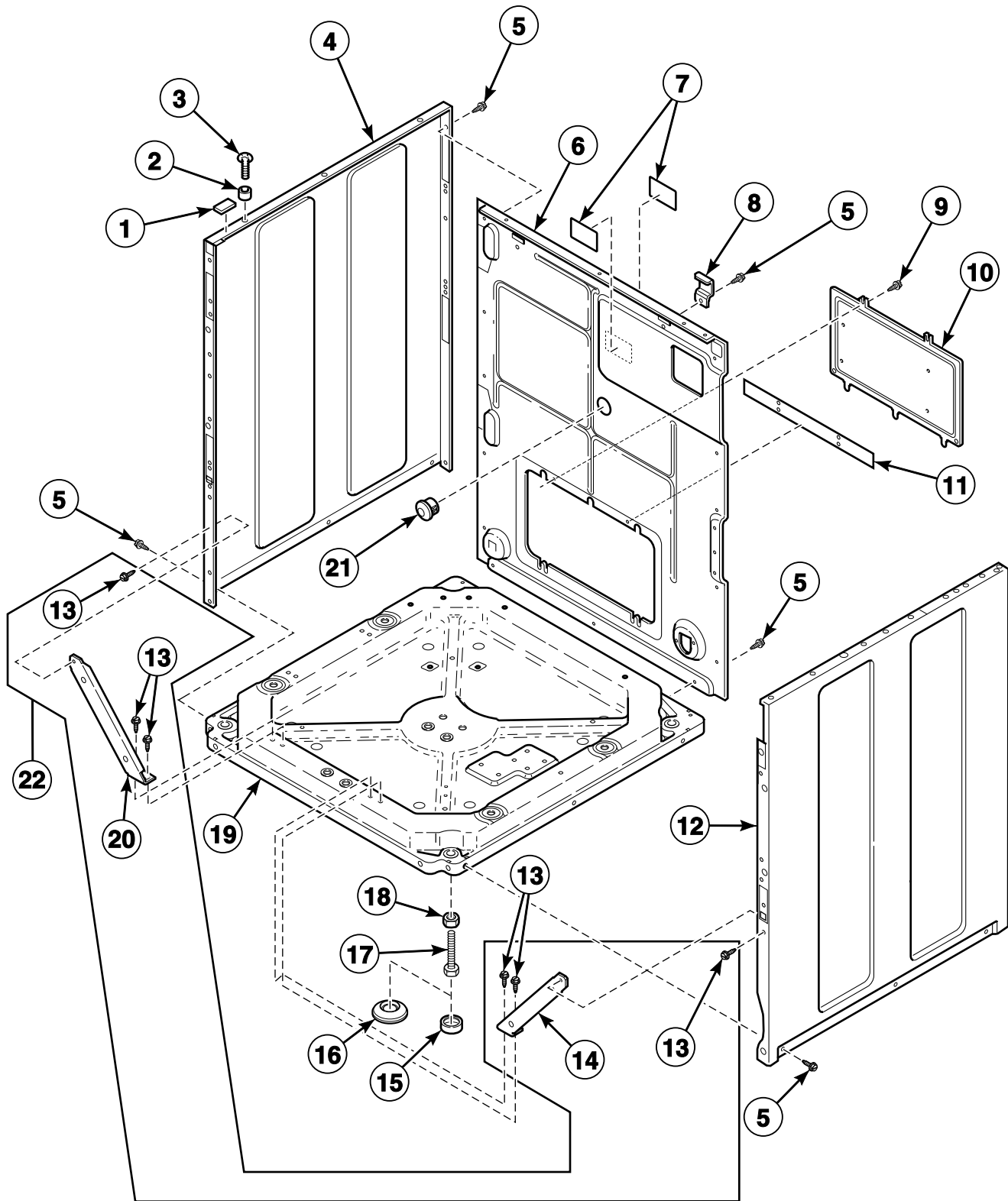
FLW943P_802739

Hoses and Pump

REF	PART NO.	DESCRIPTION	COMMENTS
1	27154	Drain Hose	
2	33489	Standpipe Strap	
3	20211	Hose Clamp	
4	35766	Drain Hose Elbow	
5	52909	Screw	
6	20391	Hose Clamp	
7	685737	Pump-to-Elbow Hose	
8	800310	Backflow Preventer	
9	F200204	Hose Clamp	
10	503661	Screw	
11	802430	Screw	
12	802626	Pump Mount Bracket	
13	802431	Screw	
14	802429P	O-Ring	
15	802624P	Drain Pump	Models BFNBLFSP301AW01, BFNBLFSP302AW01, BFNBLFSP542NW01, BFNBXFSP302AW01, BWFL74*N4000, BWF71*N3050, BWF74*N4000, HFNBXFSP302NW22, HWFY74*N4000, NWFL84*N4000, NWF74*N4000, SFNBXFSP301NW22, SFNBXFSP302AW01, SFNBXFSP302NQ01, SFNBXFSP302NW01, SFNBXFSP302NW22, SWFA71*N3050, SWFA71*N3069, SWFF71*N3050, SWFL74*N4000, SWFX71*N3000, SWFX71*N3050, SWFX71*N3051, SWFX71*N5400 and SWFX74*N4000
	802625P	Drain Pump	Models BFNBLFSP541NW01, HFNBXFSP542DW01, SFNBXFSP542DW01, SFNSXRSP541NQ23, SFNSXRSP541NW23 and SWFX71*N5400
	802623P	Drain Pump	All other models
16	802434P	Pump Housing Assembly	Includes items 17-19
17	802428	Pump Housing	
18	802427	Gasket	
19	802426P	Lid Assembly	Includes filter
20	800317	Tub-to-Pump Hose	
	27615P	Sealant	Tub-to-pump hose to outer tub
	985P3	Drain Kit	Includes 803344 Tub-to-Pump Hose with Trap, 90554 Hose Clamp, 803400 Cap and 27615P Sealant

* Add Letter To Designate Color. N - Stainless Steel Q - Bisque W - White

Base, Side Panels and Rear Panel



FLW969P_802739

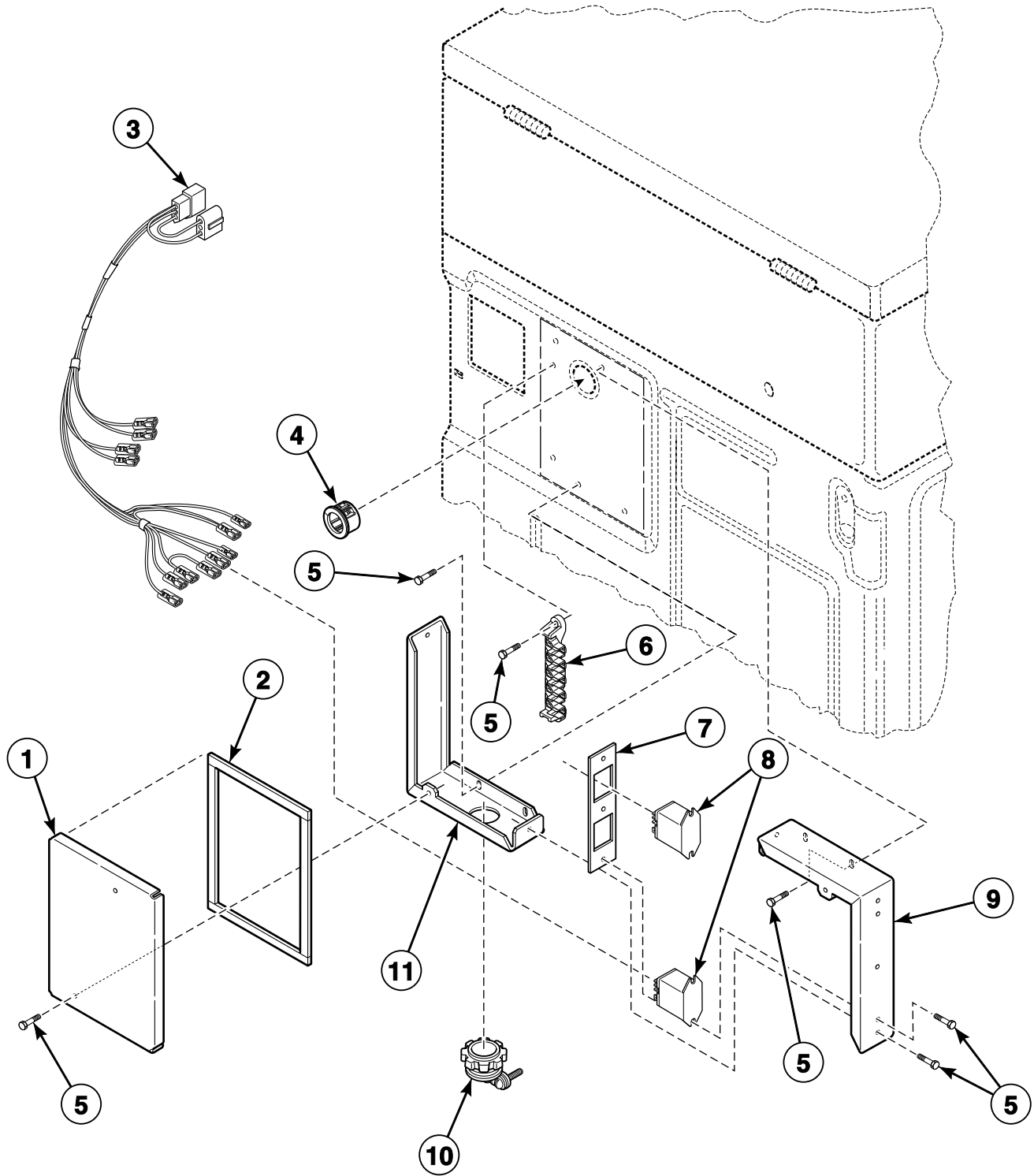
Base, Side Panels and Rear Panel

REF	PART NO.	DESCRIPTION	COMMENTS
	122P4P	Porcelain Touch-Up Paint	White
	370P4P	Porcelain Touch-Up Paint	Bisque
1	36226	Bumper Pad	
2	56079	Panel Locator	
3	39733	Screw	Use with painted panels
	512921	Screw	Use with stainless steel panels
4	800004WP	Cabinet Panel Kit	White; Left; Includes corner gusset with hardware
	800004QP	Cabinet Panel Kit	Bisque; Left; Includes corner gusset with hardware
	800004G	Side Panel	Gray; Left
	802525P	Cabinet Side Panel	Stainless steel; Left
5	503661	Screw	
6	801216	Rear Panel	Models BFNBCFSG111TN01, BFNBCFSG111TW01, BFNBCFSG112TN01, BFNBCFSG112TW01, BWFL75*N4000, BWF75*N4000, HFNBCFSG111TN01, HFNBCFSG112TN01, HFNBCFSG112TQ01, HFNBCFSG112TW01, HFNBDFSG112CW01, HFNBDFSG112CW01, HWFT73*N, HWFT73*N1102, HWFY73*N1102, HWFY75*N4000, HWR973*N1102, NWFL85*N4000, NWF75*N4000, SFNBCFSG112TQ01, SFNBCFSG112TW01, SFNBXFSG082JW01, SFNBXFSG112TQ01, SFNBXFSG112TW01, SFNBDFSG112TW01, SWFA73*N, SWFB73*N, SWFF73*N, SWFT73*N, SWFX73*N, SWFX75*N4000, SWFY73*N, SWR973*N and SWRT73*N
	801629	Rear Panel	Model SWFB72*N
	800010P	Rear Panel	All other models
7	804581	Screw Label	Models HFNBXFSP122DW01, HFNBXFSP542DW01, SFNBXFSP122DW01 and SFNBXFSP542DW01
	685928	Screw Label	Left hand thread; All other models
8	510136	Top Hinge	Rear control models
9	430497	Screw	
10	800011	Rear Access Panel	
11	801702	Motor Access Hole Edging	
12	800005WP	Side Panel Kit	White; Right; Includes 801024 Dispenser Plate with hardware and 547P3 Coin Cabinet Hardware Kit
	800005QP	Side Panel Kit	Bisque; Right; Includes 801024 Dispenser Plate with hardware and 547P3 Coin Cabinet Hardware Kit
	800005G	Side Panel	Gray; Right
	802526P	Cabinet Side Panel	Stainless steel; Right
13	31645	Screw	
14	801492	Cabinet Brace	Right
15	34318	Rubber Foot	
16	155P3	Anchor	Includes 4 rubber discs with adhesive backing
	802844P	Anchor Floor Mount Assembly	Includes 2 rubber discs with adhesive backing
17	34319	Leveling Leg	
18	21899	Nut	
19	802245	Base Assembly	
20	801491	Cabinet Brace	Left
21	M412154	Hole Plug	
22	918P3	Brace Kit	Includes items 13, 14 and 20

* Add Letter To Designate Color. Q - Bisque W - White

Junction Box

Model SWFB72*N



FLW903P_802739

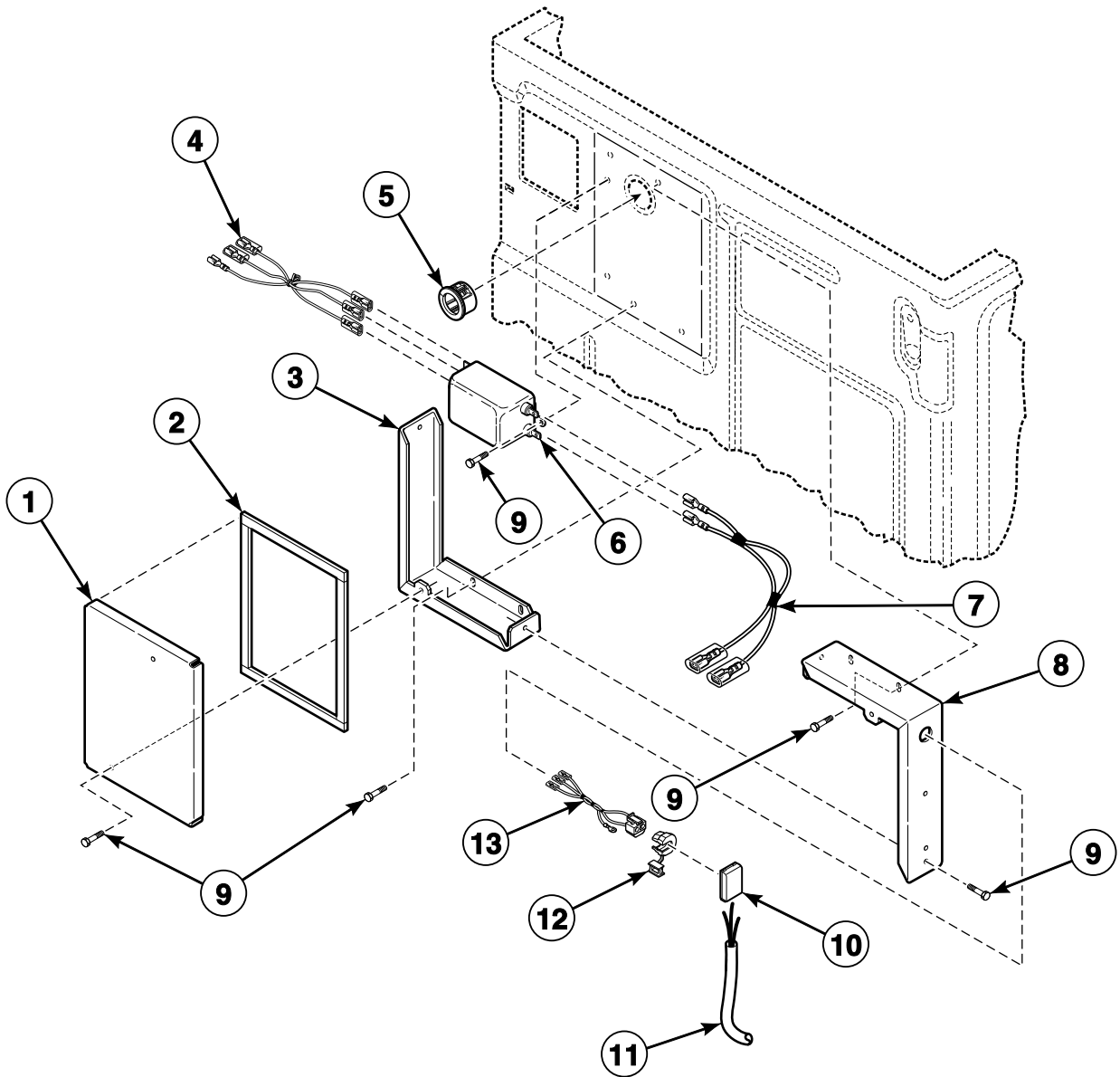
Junction Box

REF	PART NO.	DESCRIPTION	COMMENTS
1	801498	Junction Box Cover	
2	801425P	Junction Box Seal	4 required
3	801518	Supply Injection Wire Harness Assembly	
4	M402542	Snap Bushing	
5	503661	Screw	
6	505876	Terminal Block Assembly	
7	801501	Relay Mounting Bracket	
8	431349	Relay	
9	801497	Upper Junction Box	
10	F140312	Connector	
11	801499	Lower Junction Box	

* Add Letter To Designate Color. Q - Bisque W - White

Junction Box and Power Cord

Models BFNBLFSP301AW01, BFNBLFSP302AW01, BFNBLFSP541NW01, BFNBLFSP542NW01, BFNBXFSP112FW01, BFNBXFSP302AW01, BWF71*N1127, BWF71*N3050, HFNBXFSP112FQ01, HFNBXFSP122DW01, HFNBXFSP302NW22, HFNBXFSP542DW01, HWF71*N1127, HWR971*N1127, SFNBXFSG082JW01, SFNBXFSP122DW01, SFNBXFSP301NW22, SFNBXFSP302AW01, SFNBXFSP302NQ01, SFNBXFSP302NW01, SFNBXFSP302NW22, SFNBXFSP542DW01, SFNSXRSP541NQ23, SFNSXRSP541NW23, SWFA71*N3050, SWFA71*N3069, SWFF71*N3050, SWFX71*N1127, SWFX71*N3000, SWFX71*N3050, SWFX71*N3051 and SWFX71*N5400



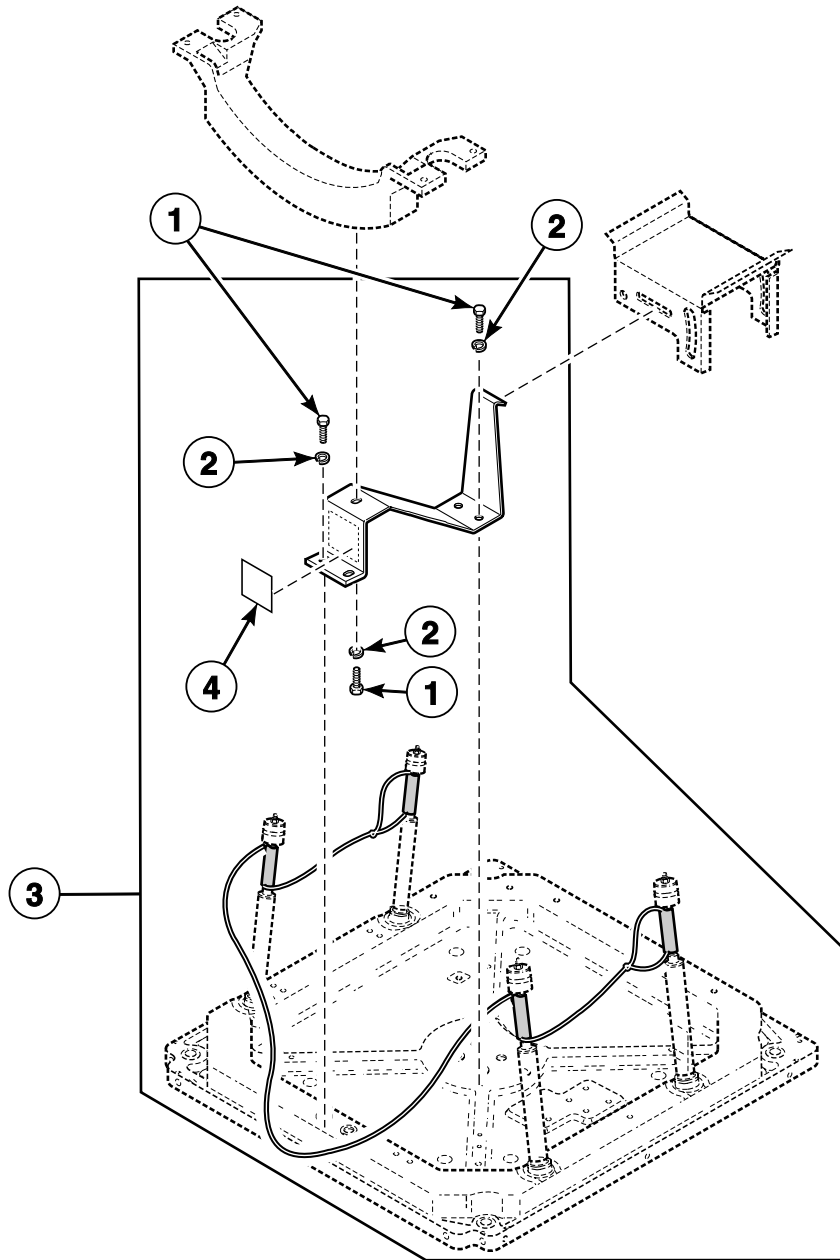
FLW1699P_802739

Junction Box and Power Cord

REF	PART NO.	DESCRIPTION	COMMENTS
1	801404	Junction Box Cover	
2	801425P	Junction Box Seal	4 required
3	801433	Lower Junction Box	
4	801420	Wire Harness Assembly	Line filter to power cord terminal block; All models except HFNBXFSP122DW01, HFNBXFSP542DW01, SFNBXFSG082JW01, SFNBXFSP122DW01 and SFNBXFSP542DW01
5	M402542	Snap Bushing	
6	201058	Line Filter	
7	802013	Wire Harness Assembly	Line filter to control harness; Models BFNBXFSP112FW01, BWFX71*N1127, HFNBXFSP112FQ01, HWFX71*N1127, HWR971*N1127, SFNBXFSG082JW01 and SWFX71*N1127
	801421	Wire Harness Assembly	Line filter to control harness; All models except BFNBXFSP112FW01, BWFX71*N1127, HFNBXFSP112FQ01, HFNBXFSP122DW01, HFNBXFSP542DW01, HWFX71*N1127, HWR971*N1127, SFNBXFSG082JW01, SFNBXFSP122DW01, SFNBXFSP542DW01 and SWFX71*N1127
8	804360	Junction Box	Upper; Model SFNBXFSG082JW01
	801403	Junction Box	Upper; All other models
9	503661	Screw	
10	39922	Cable Connection Box	All models except SFNBXFSG082JW01
11	801450	Power Cord Assembly	Models HFNBXFSP302NW22, SFNBXFSP301NW22, SFNBXFSP302NQ01, SFNBXFSP302NW01, SFNBXFSP302NW22, SWFX71*N3000 and SWFX71*N5400
	39931	Power Cord Assembly	Models BFNBFLFSP301AW01, BFNBFLFSP302AW01, BFNBXFSP302AW01, BWFX71*N3050, SFNBXFSP302AW01, SWFA71*N3050, SWFF71*N3050, SWFX71*N3050 and SWFX71*N3051; Includes plug
	802012	Power Cord Assembly	Models BFNBXFSP112FW01, BWFX71*N1127, HFNBXFSP112FQ01, HWFX71*N1127, HWR971*N1127 and SWFX71*N1127
	801660	Power Cord Assembly	Includes plug; Models SFNSXRSP541NQ23 and SFNSXRSP541NW23
	39925	Power Cord Assembly	Model SWFA71*N3069
	39926	Lead-In Cord	Includes plug; Models BFNBFLFSP541NW01 and BFNBFLFSP542NW01
	804556	Lead-In Cord Assembly	Models HFNBXFSP122DW01, HFNBXFSP542DW01, SFNBXFSP122DW01 and SFNBXFSP542DW01
	202624	Power Cord Assembly	Includes plug; Model SFNBXFSG082JW01
12	60298	Strain Relief	Model SFNBXFSG082JW01
13	201405P	Lead-In Wire Harness Assembly	Models HFNBXFSP122DW01 and SFNBXFSP122DW01
	804680	Lead-In Wire Harness Assembly	Models HFNBXFSP542DW01 and SFNBXFSP542DW01

* Add Letter To Designate Color. Q - Bisque W - White

Shipping Materials

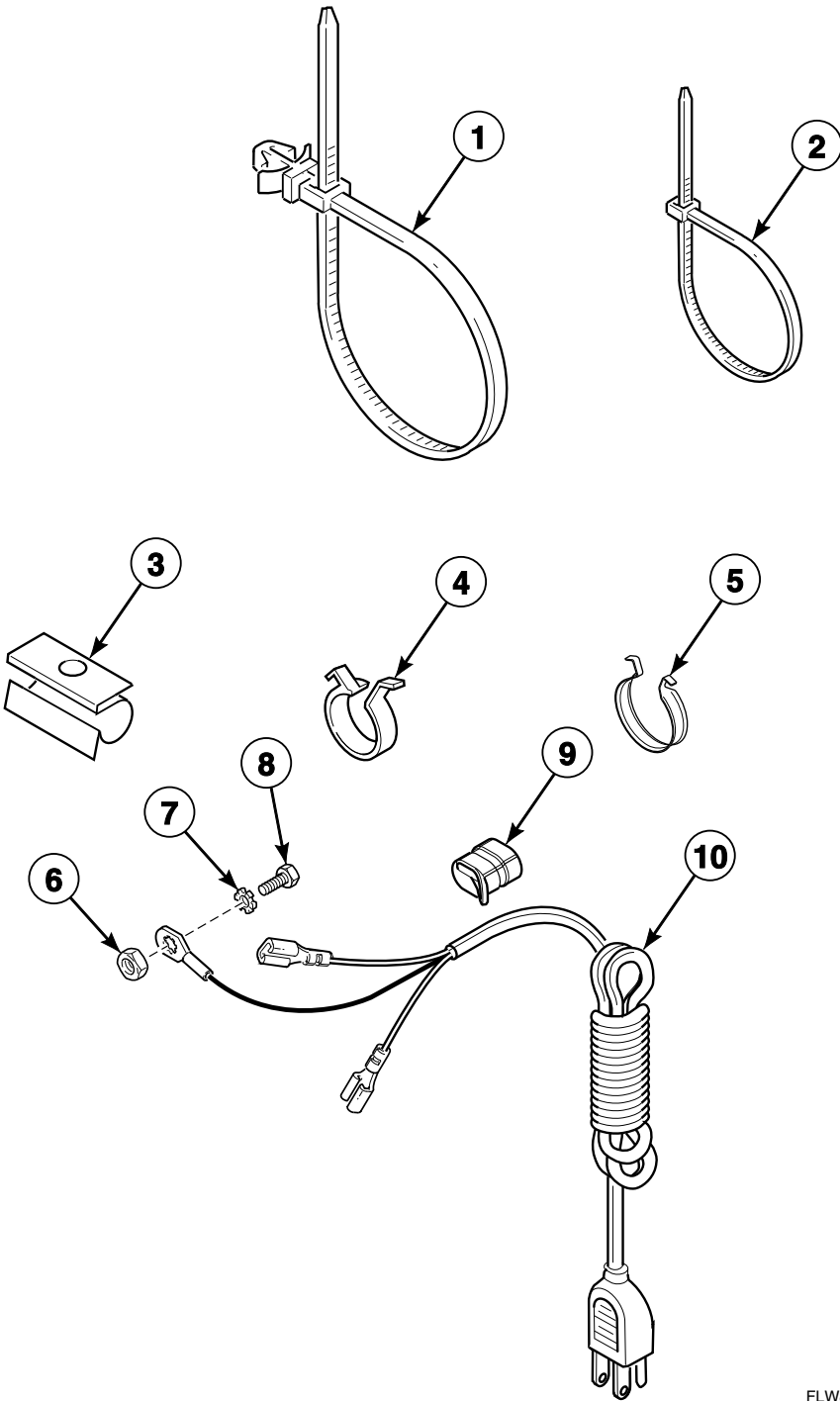


FLW1030P_802739

Shipping Materials

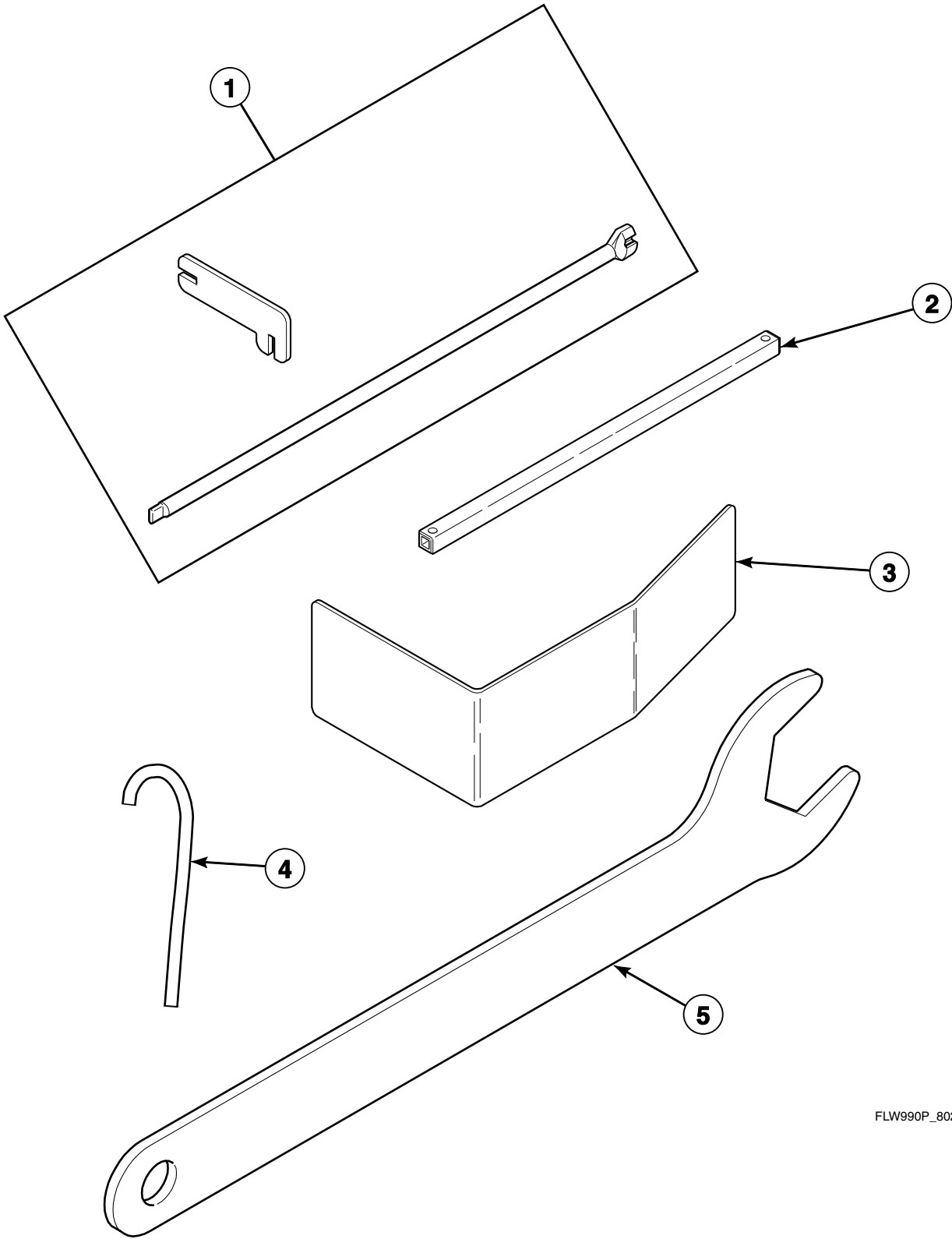
REF	PART NO.	DESCRIPTION	COMMENTS
1	M400043	Screw	
2	M400014	Washer	
3	930P3	Shipping Materials Kit	Includes items 1, 2, 4, shipping bracket, and shipping cord and brace assembly
4	686901	Shipping Bracket Label	

Wire Ties, Harness Clips and Lead-In Cord



FLW823P_802739

Special Tools

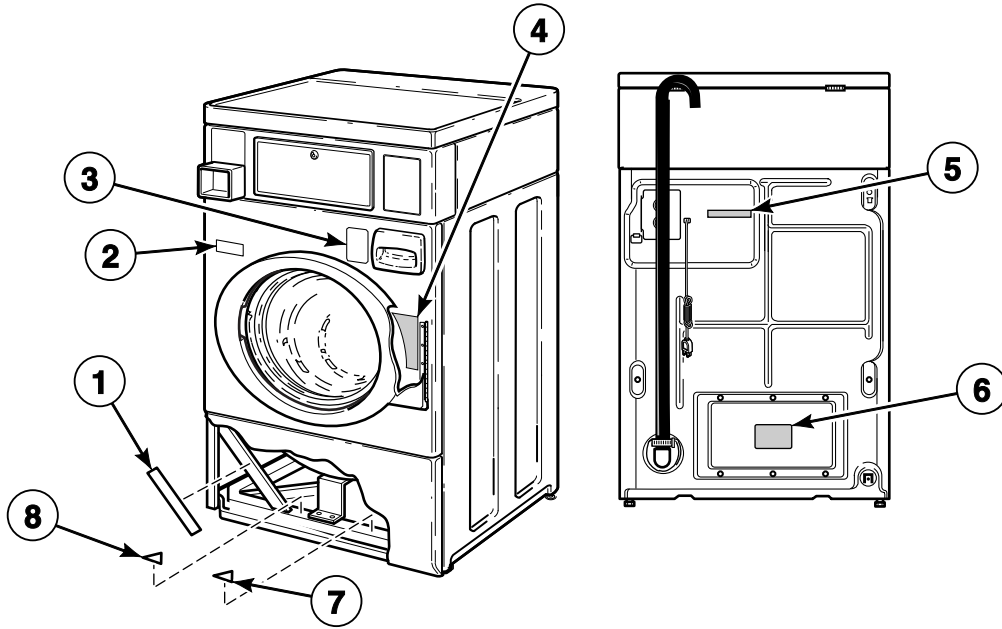


FLW990P_802739

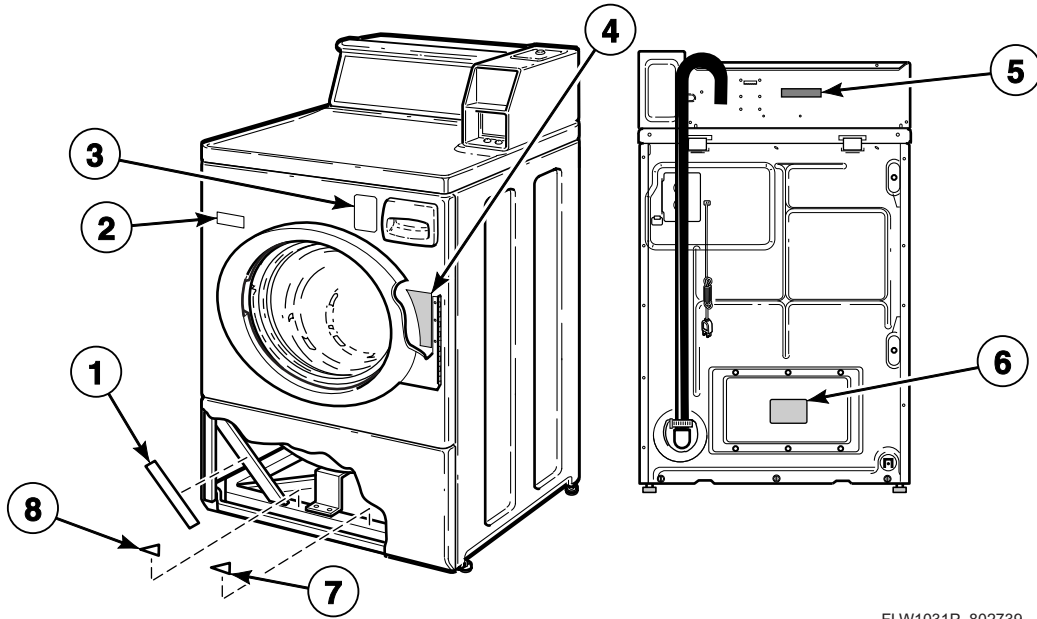
Special Tools

REF	PART NO.	DESCRIPTION	COMMENTS
1	CK096	Mounting Tool Kit	Use to install and remove electronic coin drop kits
2	310P4	Ratchet Extension Tool	1/4 inch; Use to install and remove non-electronic coin drops
3	318P4	Dispenser Drawer Tool	Use to remove dispenser drawer
4	802336	Pulley Bolt Tightening Fixture	Use to install inner basket
5	392P4	Wrench	Use for adjusting leveling leg nuts

Labels



Front Control Washers



Rear Control Washers

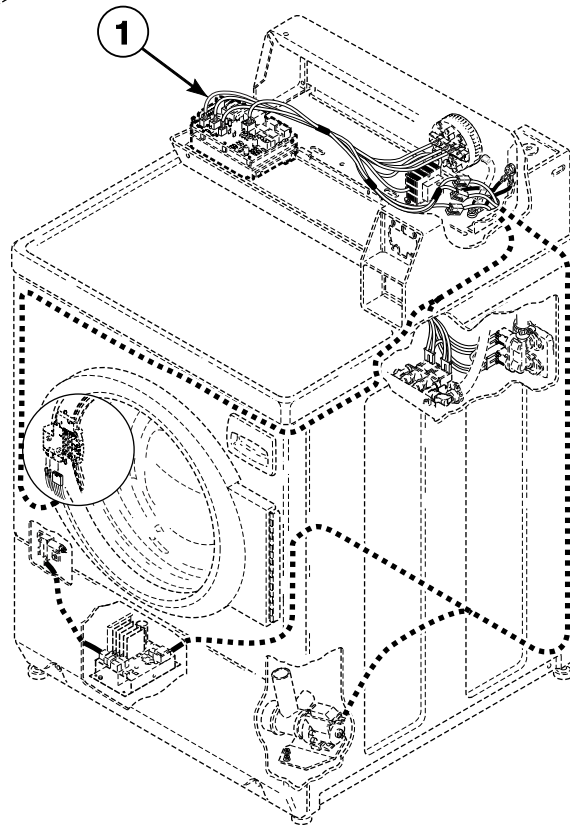
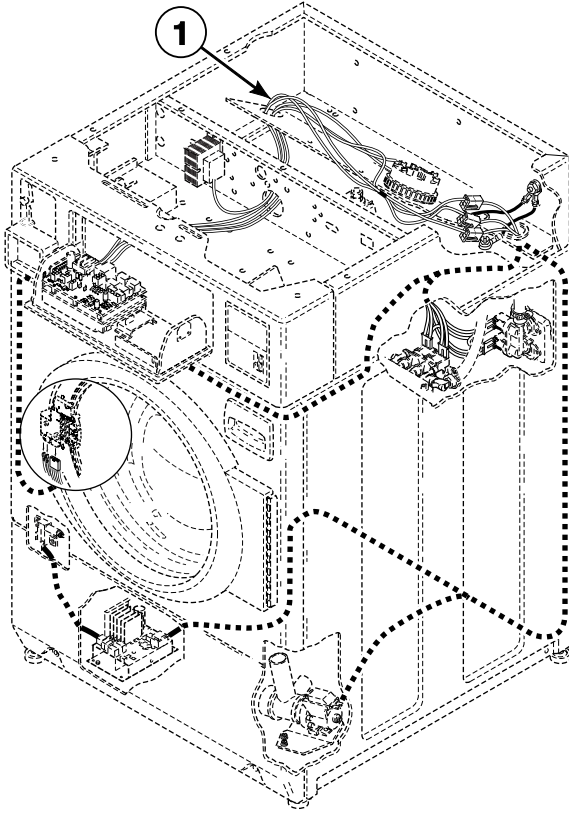
FLW1031P_802739

Labels

REF	PART NO.	DESCRIPTION	COMMENTS
1	803522	Warning Label	All models except BWFL74*N4000, BWFL75*N4000, BWFX74*N4000, BWFX75*N4000, HFNBXFSP302NW22, HWFY74*N4000, HWFY75*N4000, NWFL84*N4000, NWFL85*N4000, NWFX74*N4000, NWFX75*N4000, SFNBXFSP301NW22, SFNBXFSP302NW22, SWFA71*N3069, SWFL74*N4000, SWFX71*N3000, SWFX71*N5400, SWFX74*N4000 and SWFX75*N4000
2	803011	Notice Label	All models except BWFL74*N4000, BWFL75*N4000, BWFX74*N4000, BWFX75*N4000, HFNBXFSP302NW22, HWFY74*N4000, HWFY75*N4000, NWFL84*N4000, NWFL85*N4000, NWFX74*N4000, NWFX75*N4000, SFNBXFSP301NW22, SFNBXFSP302NW22, SWFA71*N3069, SWFL74*N4000, SWFX71*N3000, SWFX71*N5400, SWFX74*N4000 and SWFX75*N4000
3	802074	Oversudsing Label	English
	802838	Oversudsing Label	Spanish
	802839	Oversudsing Label	Quebec French
4	804500	Warning Label	Models HFNBXFSP122DW01, HFNBXFSP542DW01, SFNBXFSP122DW01 and SFNBXFSP542DW01
	802367	Door Locked Warning Label	All other models
5	505281	Disconnect Power Warning Label	English
	502511	Electrical Shock Label	Icon
	804582	Warning Label	Models HFNBXFSP122DW01, HFNBXFSP542DW01, SFNBXFSP122DW01 and SFNBXFSP542DW01
6	500049	Warning Label	English
	500314	Warning Label	Quebec French
	502511	Electrical Shock Label	Icon
7	F8211301	Pinched Fingers Label	Models BWFL74*N4000, BWFL75*N4000, BWFX74*N4000, BWFX75*N4000, HFNBXFSP122DW01, HFNBXFSP302NW22, HFNBXFSP542DW01, HWFY74*N4000, HWFY75*N4000, NWFL84*N4000, NWFL85*N4000, NWFX74*N4000, NWFX75*N4000, SFNBXFSP122DW01, SFNBXFSP301NW22, SFNBXFSP302NW22, SFNBXFSP542DW01, SWFA71*N3069, SWFL74*N4000, SWFX71*N3000, SWFX71*N5400, SWFX74*N4000 and SWFX75*N4000
8	F8211201	Electrical Shock Label	Models BWFL74*N4000, BWFL75*N4000, BWFX74*N4000, BWFX75*N4000, HFNBXFSP122DW01, HFNBXFSP302NW22, HFNBXFSP542DW01, HWFY74*N4000, HWFY75*N4000, NWFL84*N4000, NWFL85*N4000, NWFX74*N4000, NWFX75*N4000, SFNBXFSP122DW01, SFNBXFSP301NW22, SFNBXFSP302NW22, SFNBXFSP542DW01, SWFA71*N3069, SWFL74*N4000, SWFX71*N3000, SWFX71*N5400, SWFX74*N4000 and SWFX75*N4000

* Add Letter To Designate Color. N - Stainless Steel Q - Bisque W - White

Wire Harnesses and Wires (Drawing 1 of 2)



FLW945P_802739

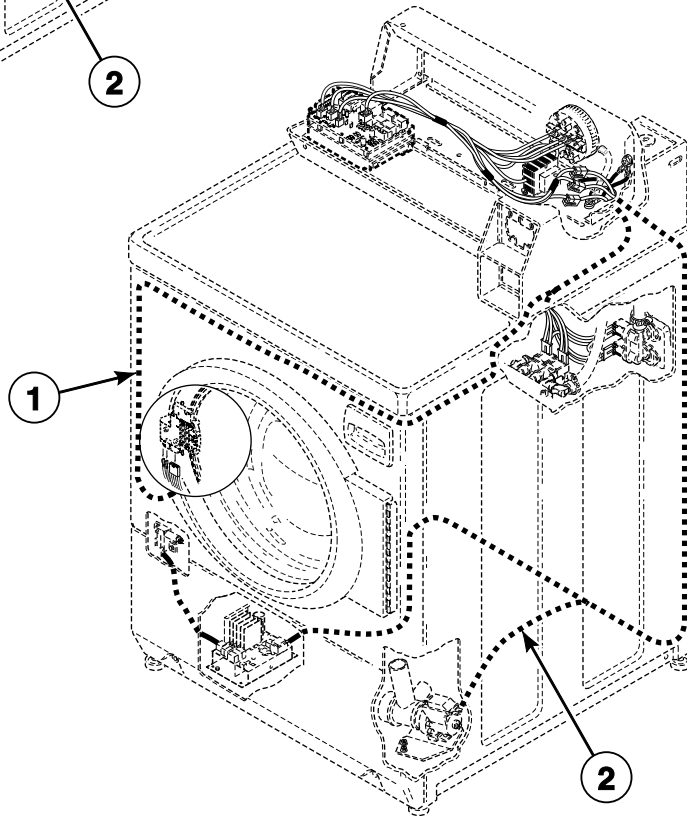
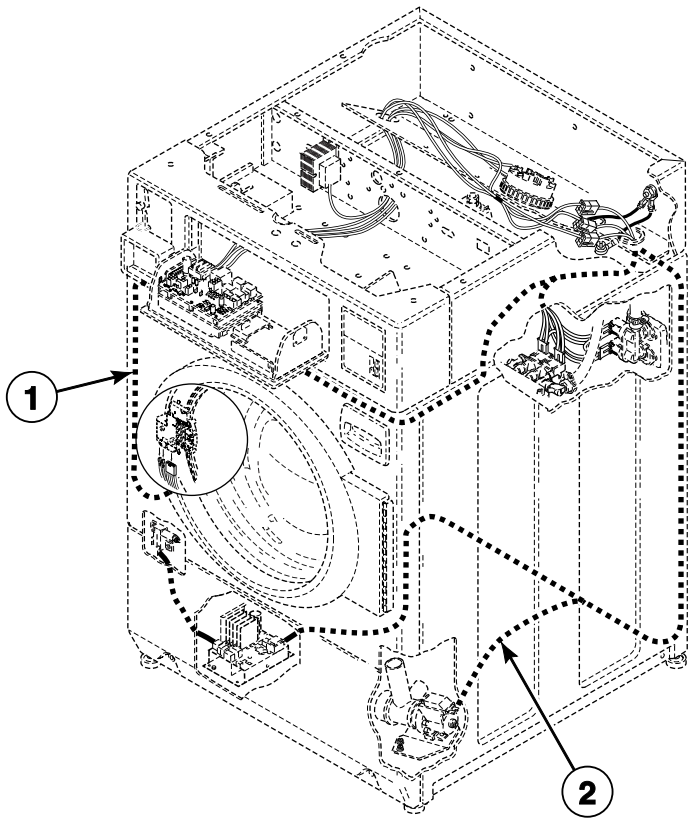
Wire Harnesses and Wires (Drawing 1 of 2)

REF	PART NO.	DESCRIPTION	COMMENTS
	45001	18 Gauge Wire	Black; Order wire by foot and terminals and connectors as required
	45380	12 Gauge Wire	Orange; Order wire by foot and terminals and connectors as required
1	801064P	Front Control Harness Assembly	Models BFNBCFSG111TN01, BFNBCFSG111TW01, BFNBEPSP111CN01, BFNBEPSP111CW01, BFNBEPSP111TN01, BFNBEPSP111TW01, BWF71*N1127, HFNBCFSG111TN01, HFNBCFSP111TN01, HFNCXFSP111CW01, HWFB71*N, HWFB71*N1102, HWFR71*N1102, HWFT71*N, HWFT71*N1102, HWFT73*N, HWFT73*N1102, HWFX71*N1102, HWFX71*N1127, HWFY71*N1102, HWFY73*N1102, SFNCCFSP111TW01, SFNCYFSP111TW01, SWFA71*N, SWFA73*N, SWFB71*N, SWFB72*N, SWFB73*N, SWFF71*N, SWFF73*N, SWFT71*N, SWFT73*N, SWFX71*N, SWFX71*N1127, SWFX71*N5400, SWFX73*N, SWFY71*N and SWFY73*N
	801324P	Control Harness Assembly	Models HFNSXRSP112CW01, HWR971*N1102, HWR971*N1127, HWR973*N1102, SFNSXRSP111TW02, SFNSXRSP112TQ01, SFNSXRSP112TW01, SFNSXRSP112TW02, SFNTRSP111TW01, SFNTRSP111TW02, SWR971*N and SWR973*N
	801117	Control Harness Assembly	Models BWFL74*N4000, BWFL75*N4000, BWF74*N4000, BWF75*N4000, HWFY74*N4000, HWFY75*N4000, NWFL84*N4000, NWFL85*N4000, NWF74*N4000, NWF75*N4000, SWFL74*N4000, SWFL75*N4000 and SWFX75*N4000
	801281P	Rear Control Harness Assembly	Models HFNCXRSP111CW01, HWRR71*N1102, HWRT71*N, HWRT71*N1102, HWRX71*N1102, HWRY71*N1102, SFNBCRSP111TW02, SFNCCRSP111TW01, SFNCCRSP111TW02, SFNCYRSP111TW01, SWRB71*N, SWRF71*N, SWRT71*N, SWRT73*N, SWRX71*N and SWRY71*N
	801335	Control Harness Assembly	Models BFNBFLFSP301AW01, BFNBFLFSP541NW01, BWF71*N3050, SFNBXFSP301NW22, SWFA71*N3050, SWFA71*N3069, SWFF71*N3050, SWFX71*N3000, SWFX71*N3050, SWFX71*N3051 and SWFX71*N5400
	803108P	Harness Assembly	Models HFNBCRSP112TW01, HFNBDRSP112CW01, HFNBERSP112CW01, HFNBXRSP112FW28, HFNBYSRSP112CW01, SFNBCRSP112TW01, SFNBCRSP112TW02, SFNBXRSP112TW01, SFNBXRSP112TW02, SFNBYSRSP112TW01 and SFNCXRSP111TW02
	803107	Harness Assembly	Models BFNBCFSG112TN01, BFNBCFSG112TW01, BFNBEPSP112CN01, BFNBEPSP112CW01, BFNBXFSP112FW01, BFNBYSRSP112TW01, HFNBCFSG112TN01, HFNBCFSG112TQ01, HFNBCFSG112TW01, HFNBCFSP112TN01, HFNBCFSP112TQ01, HFNBCFSP112TW01, HFNBDFSG112CW01, HFNBDFSP112CW01, HFNBEPSP112CW01, HFNBXFSP112CW01, HFNBXFSP112FQ01, HFNBXFSP112DW01, HFNBYSRSP112CW01, HFNBYSRSP112TW01, SFNBCFSG112TQ01, SFNBCFSG112TW01, SFNBCFSP112TQ01, SFNBCFSP112TW01, SFNBXFSG082JW01, SFNBXFSG112TQ01, SFNBXFSG112TW01, SFNBXFSP112TQ01, SFNBXFSP112TW01, SFNBXFSP112DW01, SFNBYSRSP112TW01 and SFNBYSRSP112TW01
	801346P	Control Harness Assembly	Models SFNSXRSP541NQ23 and SFNSXRSP541NW23
	803313	Control Harness Assembly	Models BFNBFLFSP302AW01, BFNBFLFSP542NW01, BFNBXFSP302AW01, HFNBXFSP302NW22, HFNBXFSP542DW01, SFNBXFSP302AW01, SFNBXFSP302NQ01, SFNBXFSP302NW01, SFNBXFSP302NW22 and SFNBXFSP542DW01

* Add Letter To Designate Color. N - Stainless Steel Q - Bisque W - White

NOTE: Individual wires are not available separately. Order complete harness, or order wire by the foot. When applying terminals to wires, it is recommended that the terminals be soldered to the wires.

Wire Harnesses and Wires (Drawing 2 of 2)



FLW945PA_802739

Wire Harnesses and Wires (Drawing 2 of 2)

REF	PART NO.	DESCRIPTION	COMMENTS
	45001	18 Gauge Wire	Black; Order wire by foot and terminals and connectors as required
	45380	12 Gauge Wire	Orange; Order wire by foot and terminals and connectors as required
1	802350P	Base Harness Assembly	Models SWFA71*N3050, SWFA71*N3069, SWFF71*N3050, SWFX71*N3000, SWFX71*N3050 and SWFX71*N5400 through Serial No. 0704017167
	802833P	Base Harness Assembly	Models BFNBLFSP301AW01, BFNBLFSP302AW01, BFNBLFSP541NW01, BFNBLFSP542NW01, BFNBFSP302AW01, BWFX71*N3050, HFNBXFSP302NW22, HFNBXFSP542DW01, SFNBXFSP301NW22, SFNBXFSP302AW01, SFNBXFSP302NQ01, SFNBXFSP302NW01, SFNBXFSP302NW22, SFNBXFSP542DW01, SFNSXRSP541NQ23, SFNSXRSP541NW23, SWFA71*N3050, SWFA71*N3069, SWFF71*N3050, SWFX71*N3000, SWFX71*N3050, SWFX71*N3051 and SWFX71*N5400 starting Serial No. 0704017168
	802349P	Base Harness Assembly	Models BWFL74*N4000, BWFL75*N4000, BWFX74*N4000, BWFX75*N4000, HWFY74*N4000, HWFY75*N4000, NWFL84*N4000, NWFL85*N4000, NWFX74*N4000, NWFX75*N4000, SWFL74*N4000, SWFX74*N4000 and SWFX75*N4000 through Serial No. 0704007393
	802834P	Base Harness Assembly	Models BWFL74*N4000, BWFL75*N4000, BWFX74*N4000, BWFX75*N4000, HWFY74*N4000, HWFY75*N4000, NWFL84*N4000, NWFL85*N4000, NWFX74*N4000, NWFX75*N4000, SWFL74*N4000, SWFX74*N4000 and SWFX75*N4000 starting Serial No. 0704007394 and continuing through Serial No. 1001000989
	803470	Base Harness Assembly	Models BWFL74*N4000, BWFL75*N4000, BWFX74*N4000, BWFX75*N4000, HWFY74*N4000, HWFY75*N4000, NWFL84*N4000, NWFL85*N4000, NWFX74*N4000, NWFX75*N4000, SWFL74*N4000, SWFX74*N4000 and SWFX75*N4000 starting Serial No. 1001000990
	802351P	Base Harness Assembly	All other models; Models through Serial No. 0709009264
	802831P	Base Harness Assembly	All other models; Models starting Serial No. 0709009265
2	802274P	Motor Harness Assembly	Models through Serial No. 1201004551
	803581	Motor Harness Assembly	Models starting Serial No. 1201004552

* Add Letter To Designate Color. N - Stainless Steel Q - Bisque W - White

NOTE: Individual wires are not available separately. Order complete harness, or order wire by the foot. When applying terminals to wires, it is recommended that the terminals be soldered to the wires.

Parts Index

A

Access Panel Assembly	
514250Q	51
514250W	51
514251	51
Access Panel Damper	
685368	51
Anchor	
155P3	73
Anchor Floor Mount Assembly	
802844P	73
Anti-Seize Compound	
27604P	65
Audit Switch Bracket	
800379	15, 17

B

Backflow Preventer	
34500	53, 55, 57
800310	71
Ballast Weight	
800205	61, 63
Base Assembly	
802245	73
Base Harness Assembly	
802349P	89
802350P	89
802351P	89
802831P	89
802833P	89
802834P	89
803470	89
Base Shock Absorber Kit	
802881P	61, 63
Bearing Housing Kit	
800428P	65
Bearing Kit	
RB160001	65
Bolt	
02505	31, 35
29651	11, 13, 19, 35
32184	43
Boot Nozzle	
802291	51, 53, 55
Brace Kit	
918P3	73
Bracket	
201918	43
510146	33, 35, 47
803662	39
Bumper Pad	
36226	73

C

Cabinet Brace	
801491	73
801492	73
Cabinet Panel Kit	
800004QP	73
800004WP	73
Cabinet Side Panel	
802525P	73
802526P	73
Cabinet Top Kit	
802247QP	11, 13
Cable Connection Box	
39922	77
Cable Tie	
M405829	81
39037	55
Cap	
801746	53, 55
Card Insert Overlay	
511544	29
511548	29
Card Reader and Bracket Assembly	
510068P	29
Card Reader Assembly	
210045P	47
Card Reader Bracket	
210023	47
Card Reader Overlay	
800230	29
Card Reader Shield	
801101	47
Card Reader Wire Harness Assembly	
800125P	29, 47
Central Pay Harness	
511478	7, 19, 41, 47
Clamp Ring	
800312	61, 63
Clip	
201572	27
Clothes Guard	
803537	61, 63
Clothes Guard and Deflector Kit	
804560P	61, 63
Clothes Guard Deflector	
804174P	61, 63
804482	61, 63
Coin Box Extension Kit	
803578P	31
Coin Drop	
38963P	25
70441601P	25, 31
Coin Drop Assembly	
CK114	25
38462P	25
38463	25
38464P	25
38467	25
38472	25

N/A items do not appear in index.

38519	25
38521	25
70441602	25, 31
70447301	25
70482401	25
Coin Drop Wire Harness	
201104	27
Coin Funnel Kit	
523P3	35
Coin Identification Paper	
38725	25, 27, 31
Coin Slide Extension Kit	
200913	37, 39
514228	37
Connector	
F140312	75
801789	23
Contactora	
F330177P	15, 19
Contactora Wire Harness Assembly	
801120P	15, 19
Control Assembly	
802400P	7, 19
803146P	7, 9, 19, 41, 47
804670	45
Control Cabinet Bottom	
801777	19
Control Harness Assembly	
801117	87
801324P	87
801335	87
801346P	87
803313	87
Control Hood	
502567Q	41, 45
502567W	41, 45
511253Q	47
511253W	47
Control Hood Back Panel	
801735	45
Control Kit	
800772P	7, 41, 47
802076P	7
Control Panel	
801737B	19
801737W	19
Control Panel and Bracket Assembly	
800035B	7, 9
800035Q	7, 9
800035W	7, 9
800142Q	45
800142W	45
800149Q	41
800149W	41
Control Panel and Stud Assembly	
800710Q	47
800710W	47
Control Panel Overlay	
800033	7
800228	47
800413	7
800416	7
801190	47
801191	47
801521	45
801523	45

Control Shield	
210053	41, 47
801061	67
801371	15, 17, 19
804738	67

D

Detergent Cover	
800899	53, 55
Diagnostic Wire Harness Assembly	
800374	7, 9
800680	19, 47
Disconnect Power Warning Label	
505281	33, 35, 41, 45, 47, 85
Dispenser	
685756P	55
801090P	55
Dispenser Assembly	
801476P	55
801630P	53
801662P	53
Dispenser Drawer	
685757P	53, 55
Dispenser Drawer Front	
685715QP	53, 55
685715WP	53, 55
Dispenser Drawer Tool	
318P4	83
Dispenser Handle	
802879P	55
Dispenser Plate	
801024	53, 55
Dispenser-to-Door Seal Hose	
802256	51, 53, 55
Dispenser-to-Tub Hose	
800331	53, 55
Door Assembly	
802368QP	49
802368WP	49
802872P	49
Door Catch Assembly	
802803	49
Door Glass	
802695P	49
Door Hinge	
802934	49
Door Latch/Switch Assembly	
802317P	51
Door Locked Warning Label	
802367	85
Door Seal Assembly	
802866P	51, 53, 55
Door Seal Kit	
802830P	51, 53, 55
Drain Hose	
27154	71
Drain Hose Elbow	
35766	71
Drain Kit	
985P3	71
Drain Pump	
802623P	71

N/A items do not appear in index.

802624P	71
802625P	71
Drain Valve	
803293	69
Drain Valve Kit	
F975P3	69
F976P3	69
Drain-to-Cabinet Hose	
800903	69
Drive Belt	
800319P	67
Driven Pulley	
800866	65
Dual Overlay	
39073	23, 31

E

Electric Access Panel	
801134	21
Electrical Shock Label	
F8211201	59, 85
502511	63, 85
Electronic Coin Drop Assembly	
70294103P	27
70294104	27
70294105P	27
70294106	27
70294107	27
70294109	27
70294110	27
70294111	27
70294120	27
70294121	27
Electronic Coin Drop Kit	
CK099	27
CK100	27
CK101	27
CK103	27
CK106	27
CK108	27
CK109	27
CK110	27
CK113	27
CK115	27
CK120	27
CK121	27
End Cap	
210108W	47
210109W	47
Expansion Clip	
70030501	19
Extension Spring	
802285	51

F

Fill Hose	
202799	57
202931	57
20617	57
20618	57
37380	57

37381	57
Fill Hose Kit	
38349P	57
Filter	
801255P	21
Fitting	
801792P	21
Front Control Harness Assembly	
801064P	87
Front Overlay	
801037	7
801050	7, 9
801053	7, 9
801761	7
Front Panel	
802277QP	51
802277WP	51
802288P	51
Fuse	
801755	67

G

Gasket	
802427	71
Glass Mounting Clip	
802700	49
Graphic Overlay	
800414	41
801762	19
801983	19
802868	19
Gravity Drain Bracket	
803291	69
Gravity Drain Valve	
803292	69
Grommet	
29175	59, 63
Grounding Clip	
00161	61, 63

H

Hardware Kit	
838P3	65
Harness Assembly	
802904P	25, 31
802905	25, 27, 31
803107	87
803108P	87
Harness Strap	
55881	51, 53, 81
Heater Harness	
802323P	63
803492	63
Heating Element Kit	
803557P	63
803558P	63
Hinge	
511036	11, 13, 19
Hinge Plate	
802206	51

N/A items do not appear in index.

Hole Plug	
M412154	73
Hood Back Plate	
505798	41
Hose Clamp	
F200204	71
F200206	53, 55
20211	71
20391	71
39282	59, 63
685725	53, 55, 69
802164	51, 53, 55, 57
802281	51
802698	51, 53, 55
Hose Clip	
36985	15, 17, 19, 59, 81
800553	65
Hose Mounting Plate	
800552	65

I

Injection Nozzle	
F8322001	53
Inner Basket Assembly	
802365P	65
803008P	65
804322	65
Inner Door Bezel Kit	
802307P	49
802331P	49
Insert	
685716	53, 55
Instruction Label	
685942	23, 29
Inverter Control Assembly	
803254P	67
803255P	67

J

Jumper Assembly	
513131	45
Jumper Configuration Assembly	
M413507	15, 17, 45
Jumper Harness	
513268	67
513316	67
Jumper Harness Assembly	
M413504	17
Junction Box	
801403	77
804360	77
Junction Box Cover	
801404	77
801498	75
Junction Box Seal	
801425P	75, 77

K

Key	
54612	11, 13

L

Lead-In Cord	
34458	81
39926	77
Lead-In Cord Assembly	
804556	77
Lead-In Wire Harness Assembly	
201405P	77
804680	77
Left Control Cabinet Side	
801738B	19
801738W	19
Leveling Leg	
34319	73
Lid Assembly	
802426P	71
Light	
801431	45
801432	45
Line Filter	
201058	21, 77
Lock Cam	
27261	11, 13
Lock Kit	
27260P	11, 13
Lower Junction Box	
801433	77
801499	75

M

Meter Case Assembly	
38724Q	31
38724W	31
801330Q	35
801330W	35
802505Q	31
802505W	31
803042W	35
803576W	35
Meter Case Assembly Kit	
803063WP	31
Meter Case Bracket Gasket	
35526	31, 35
Meter Case Gasket	
26354	31, 35
Meter Case Lockdown Bracket	
35525	31, 35
Meter Case Locking Bracket	
30642	31, 35
Mixing Valve	
802220P	57
802222P	57
Mixing Valve Plate	
800323	57

N/A items do not appear in index.

Mixing Valve Screen 802926	57
Motor Access Hole Edging 801702	73
Motor and Rod Assembly Kit 801684P	67
Motor Harness Assembly 802274P	89
803581	89
Motor Mount Rod 801062	67
Motor Speed Switch 800404	45
Mounting Tool Kit CK096	83

N

Network Varistor Assembly 801311	21
Notice Label 803011	85
Nut	
F430218	61, 63, 65
M412986	35
03673	81
201216	27
21899	73
23951	43, 49
24205	45
27222	33, 35
29786	25, 27, 31, 35, 69
29787	21
30647	31, 35, 43
36020	11, 13, 51
44087201	11, 13, 19
52566	41, 45
52947	45
685846	49
70054	29, 47
800452	59, 63, 65
802292	51, 53, 55
802337	31, 35
802343	61, 63
803017	65

O

Operating Instruction Label 801217	23, 29
803594	23, 29
803595	31, 35
Opto Coupler 200674P	25, 31
O-Ring	
F170208	53
802429P	71
Outer Door Bezel Kit 802313QP	49
802313WP	49
802314P	49
Outer Tub Assembly 801081P	61

801291	63
Out-of-Balance Switch Assembly 801006	59, 63
803415	59, 63
Overlay	
201091	27
210131	29
801872	7
802510	7
803434	7, 9
803535	19
803597	7, 9, 41, 47
Overlay Kit 38676	23
Oversudsing Label 802074	85
802838	85
802839	85

P

Panel Locator 56079	23, 29, 51, 73
Pinched Fingers Label F8211301	59, 85
502506	63
Pop Rivet 685847	11, 13, 19, 65
70058501	33, 35, 47
Porcelain Touch-Up Paint 122P4P	73
370P4P	73
Power Cord Assembly 202624	77
39925	77
39931	77
801450	77
801660	77
802012	77
Pressure Bulb 30907	59, 63
Pressure Switch 802299P	15, 17, 19, 41, 45, 47
Pulley Bolt Tightening Fixture 802336	83
Pump Housing 802428	71
Pump Housing Assembly 802434P	71
Pump Mount Bracket 802626	71
Pump-to-Elbow Hose 685737	71

R

Ratchet Extension Tool 310P4	83
Rear Access Panel 800011	73
Rear Control Cabinet 801058	19, 21

N/A items do not appear in index.

Rear Control Harness Assembly	
801281P.....	87
Rear Control Hood Panel	
801165.....	47
Rear Control Operating Instruction Label	
800137.....	31, 35
Rear Control Panel Harness Assembly	
802786.....	45
Rear Overlay	
801052.....	41
801055.....	41
Rear Panel	
800010P.....	73
801216.....	73
801629.....	73
Relay	
431349.....	75
Relay Mounting Bracket	
801501.....	75
Resistor	
210100.....	15, 17, 19, 45
Retaining Ring	
23748.....	67
Right Control Cabinet Side	
800915B.....	19
800915Q.....	19
800915W.....	19
Rubber Foot	
34318.....	73

S

Screw

M400043.....	65, 79
M400057.....	67
M405188.....	15, 17, 19
02916.....	41, 45, 69
20530.....	33, 35, 47, 81
23008.....	11, 13
27328.....	37
31645.....	73
36048.....	31, 35
39733.....	23, 29, 51, 73
430497.....	73
501086.....	41, 45, 47, 57
501524.....	7, 9, 19, 41, 45, 47, 67
503661.....	15, 17, 19, 21, 33, 35, 41, 45, 47, 51, 57, 59, 63, 67, 69, 71, 73, 75, 77
503673.....	31, 33, 35
503688.....	15, 17, 19, 21, 23, 29, 37, 39, 43
512921.....	23, 51, 73
51782.....	37
52864.....	41, 45, 47
52909.....	71
685831.....	65
70240301.....	19, 21
800461.....	59, 63
800462.....	61, 63, 65
800548.....	49, 51, 53, 55
800930.....	19
801001.....	53, 55
801019.....	49
801045.....	51
801993.....	49
802430.....	71

802431.....	71
802596.....	61, 63
Screw Label	
685928.....	73
804581.....	73
Sealant	
27615P.....	69, 71
Security Cabinet Front Assembly	
511209Q.....	29
511209WP.....	29
511633B.....	23
511633QP.....	23
511633WP.....	23
Security Cabinet Wrapper Assembly	
801235B.....	23
801235Q.....	23, 29
801235W.....	23, 29
801780Q.....	23
801780W.....	23
Security Kit	
905P3.....	43
Service Door Assembly	
39874QP.....	31, 35
39874WP.....	31, 35
803043WP.....	31, 35
Shipping Bracket Label	
686901.....	79
Shipping Materials Kit	
930P3.....	79
Side Panel	
800004G.....	73
800005G.....	73
Side Panel Kit	
800005QP.....	73
800005WP.....	73
Single Overlay	
202123.....	31
38717.....	23, 31
Snap Bushing	
M402542.....	15, 17, 19, 21, 75, 77
503235.....	69
Spring	
F8504601.....	69
Stainless Steel Top	
512967.....	11, 19
Standpipe Strap	
33489.....	71
Strain Relief	
38384.....	81
60298.....	77
Supply Injection Wire Harness Assembly	
801518.....	75
Switch	
201952.....	37
431159.....	39
512973.....	15, 17, 31, 35
Switch Assembly	
55882.....	45
Switch Knob	
39897.....	45
Switch Mounting Bracket	
800663.....	59, 63
803388.....	59, 63

N/A items do not appear in index.

T

Temperature Switch	
685595	45
Tension Rod Assembly	
800666	65
Terminal Block Assembly	
505876	21, 75
801250	21
801756	21
Thermistor	
803256	63
Top and Gusset Assembly	
802247QP	11, 13, 19
802247WP	11, 13, 19
Top Hinge	
510136	73
Top Kit	
511527QP	33, 35
511527WP	33, 35
803144P	11, 13
Top Mounting Bracket	
504228	11, 13, 19
Top Panel Kit	
511530WP	47
Transformer	
201375P	15, 17, 27, 41, 47
210018P	15, 17, 41, 45, 47
803527P	15, 17, 19, 45
Trunion Shaft and Hardware Kit	
800749P	65
Tub Front Assembly	
802258	61
802260	63
803494	63
Tub Front Seal	
800432P	61, 63, 65
Tub Shock Absorber Kit	
800622P	61, 63
Tubing	
33324	59
685751	59
800648P	59, 63
801635	53
Tub-to-Drain Hose	
800902	69
Tub-to-Pump Hose	
800317	71

U

Union	
801788	23
Upper Junction Box	
801497	75

V

Valve Kit	
685766P	53, 55
801836P	55

Valve-to-Dispenser Inlet Hose	
801464	53, 55, 57

W

Warning Label	
500049	59, 85
500314	59, 85
500316	33, 35, 41, 45, 47
800632	67
803522	85
804500	85
804582	85
Washer	
M400014	79
M400017	41, 45, 69
M400080	67
M400081	59, 63
M403958	65
02431	41, 45
02834	67
03815	37, 81
200608	41, 47
20290	57
25100	43
25820	45
52549	67
800457	61, 63, 65
800464	65
802254	57
802293	51, 53, 55
803615	57
91176	45
Water Hose	
F200116	57
Wire Clamp	
800811	59, 63
Wire Clamp Ring	
802283	51
Wire Clip	
504034	81
687500	51, 53, 55, 81
Wire Guard	
201595P	25, 31
Wire Harness Assembly	
801261	21
801420	77
801421	77
802013	77
Wire Tie	
38663	81
Wire, 12 Gauge	
45380	87, 89
Wire, 18 Gauge	
45001	87, 89
Wrapper and Channel Assembly	
505753BP	23
505753QP	23, 29
505753WP	23, 29
Wrench	
392P4	83

N/A items do not appear in index.

